

Voltshield™

AUTOMATIC VOLTAGE SWITCHER (AVS100)

OVER AND UNDER VOLTAGE PROTECTION

Description

The AVS is an Automatic Voltage Switcher rated at 100 Amps (AVS100). The AVS will switch off the equipment connected to it if the mains power goes outside preset acceptable limits and will re-connect automatically - when the mains power returns to normal. Re-connection takes place after a 3 minute delay ('the start-up delay') to ensure stability of the mains.

In addition, the start-up delay provides protection against power-back surges commonly experienced after resumption of power in a power cut situation.

Surge and spike protection is also incorporated to ensure protection against these commonly occurring events.



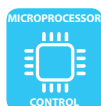
Applications

Air-conditioners, large fridge/freezers, whole office.

Tips

Rated at 100 amps for use with a number of air-conditioners and/or whole office or factory. Direct wiring adds security of installation.

Features:



Protection against:



High Voltage



Low Voltage



Spikes/Surges



Power-Back Surges



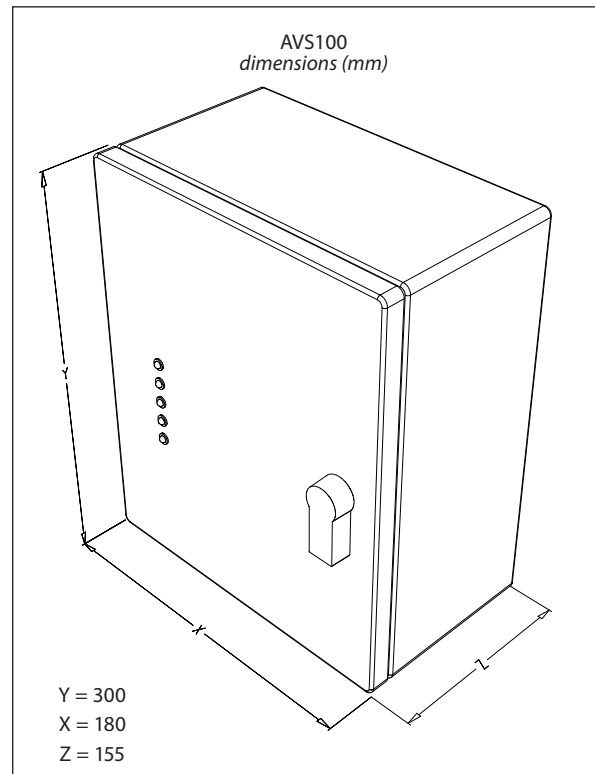
Basic Lightning

Protection for:



Specifications

Model	AVS100	
Nominal voltage	110V	230V
Watts	11000	2400
Frequency	50/60 Hz	
Load current (Amps)	100	
Inrush current (20ms)	500 Amps	
Max consumption (milli Amps)	<100mA	
Wait time	3 mins	
Over-voltage disconnect	132V	265V
Over-voltage reconnect	128V	260V
Under-voltage disconnect	92V	185V
Under-voltage reconnect	95V	190V
Max supply	160V	320V
Spike / surge protection	Joules	80
	Amps	6500A (8/20us)
	Response	10 nanosecs
Response time (over voltage)	<20 millisecc	
Response time (under voltage)	1sec	
Brown-out response time	20 millisecc	
Approx packed weight	6 Kg	
Dimensions packed (mm)	H 300 x W 180 x D 155	
Shipping quantity per carton	1	
Shipping carton dimensions (mm)	H 360 x W 280 x D 220	
Socket type	direct via screw terminal	



Dimension and weight dependent on model



TIMESAVE™ description

The Voltshield has a built-in microprocessor which adds the advanced feature TimeSave™. TimeSave™ means that when the mains returns to normal, the Voltshield checks the duration of the OFF time. If the unit has been off for more than 3 minutes then it will reconnect the mains within 30 seconds rather than the standard 3 minutes. This means the Sollatek Voltshield will give you more vital working time than any other switcher.

The VOLTSHIELD features

- Protects and prolongs the useful life of electrical appliances
- Eliminates the need to switch off appliances every time the electricity fails
- Safeguards valuable electrical appliances at all times
- Very low cost protection in relation to the value of appliances
- Different models available

ITEM	PRODUCT CODE
AVS100	91100000
For more information on the Sollatek's Voltage Switcher Range refer to the Voltshield brochure or visit www.sollatek.com	

Sollatek (UK) Ltd.

Unit 10, Poyle 14, Newlands Drive, Poyle, Slough, SL3 0DX, UK
 Tel: +44 (0)1753 688300 Fax: +44 (0)1753 685306
 Technical support: support@sollatek.com
 Sales: sales@sollatek.com www.sollatek.com