


Voltshield™

3 PHASE AUTOMATIC VOLTAGE SWITCHER (AVS303)

OVER AND UNDER VOLTAGE PROTECTION

Description

The AVS303 is a 3 phase Automatic Voltage Switcher rated from 23 Amps per phase and up to 1250 Amps. The AVS303 will switch off the equipment connected to it if the mains power goes outside preset acceptable limits and will re-connect automatically - when the mains power returns to normal. Re-connection takes place after a delay ('the start-up delay') to ensure stability of the mains.

In addition, the start-up delay (adjustable from 10 secs to 10 mins) provides protection against power-back surges commonly experienced after resumption of power in a power cut situation.

Surge and spike protection is also incorporated to ensure protection against these commonly occurring events.

Function

The AVS303 protects against over voltage and under voltage on any one of the three phases as well as loss of one or more phases. Indication and/or disconnection as a result of mains frequency error of phase sequence error is available as an option. The AVS303 incorporates a contactor to switch the full load current (see the AVS3P-0 if you already have switching mechanism in place).

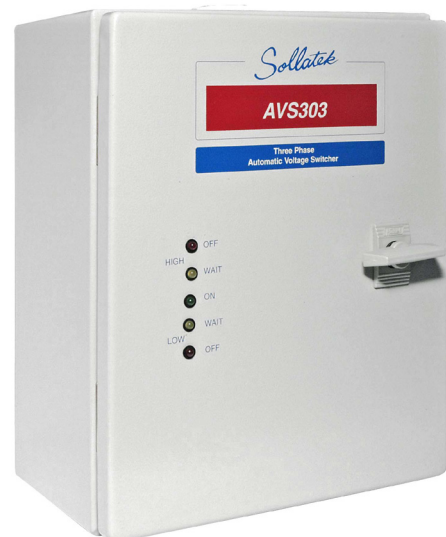
The AVS303-xx is available in different sizes ranging from 23 amps to 1250 amps (the -xx relates to the model number, i.e. AVS303-23 is a 23 amp per phase AVS303).

Applications

3 phase air-conditioners, industrial refrigeration and industrial plants and machinery.

Tips

The AVS303 will provide full protection at a fraction of the cost of the equipment protected. Direct wiring adds security of installation.



Protection against:



High Voltage



Low Voltage



Spikes/Surges

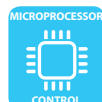


Power-Back Surges



Basic Lightning

Features:



Protection for:



Specifications

Model	AVS303
Current (Amps)	23 to 1250
Nominal voltage(V)	230/400
Wait time (mins)	10 secs to 10 minutes
Under-voltage disconnect(V)	190V (150 - 230V)
Over-voltage disconnect(V)	260V (150 - 230V, also off)
Hysteresis(V)	4
IP rating	IP55
Socket type	direct via brass screw terminal
Fused plug	N/A
RFI protection	No
Transient suppression	Yes >6.5kA
Spike protection(J)	160
Weight	Dependent on model
Dimension	Dependent on model

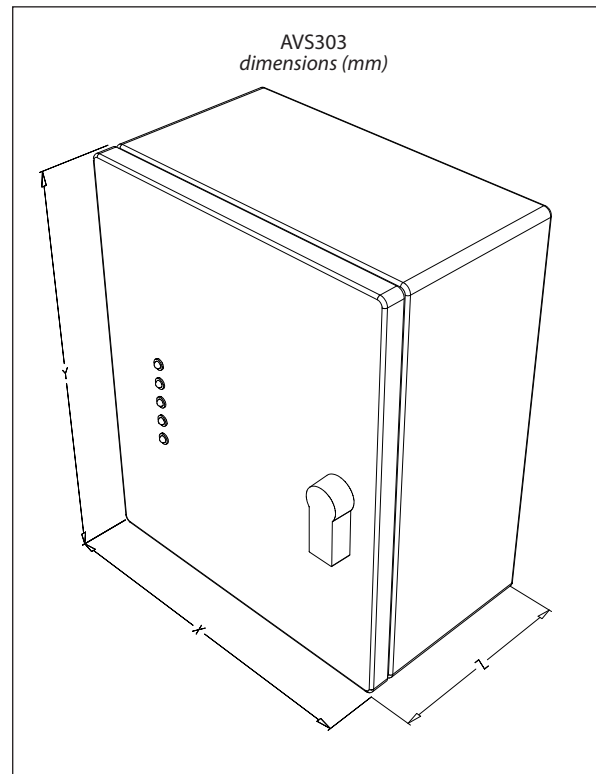


TIMESAVE™ description

The Voltshield has a built-in microprocessor which adds the advanced feature TimeSave.™ TimeSave™ means that when the mains returns to normal, the Voltshield checks the duration of the OFF time. If the unit has been off for more than 3 minutes then it will reconnect the mains within 30 seconds rather than the standard 3 minutes. This means the Sollatek Voltshield will give you more vital working time than any other switcher.

The VOLTSHIELD features

- Protects and prolongs the useful life of electrical appliances
- Eliminates the need to switch off appliances every time the electricity fails
- Safeguards valuable electrical appliances at all times
- Very low cost protection in relation to the value of appliances
- Different models available



Dimension and weight dependent on model

ITEM	PRODUCT CODE	AMPS
AVS303-23	93023000	3 X 23
AVS303-30	93030000	3 X 30
AVS303-37	93037000	3 X 37
AVS303-43	93043000	3 X 43
AVS303-60	93060000	3 X 60
LARGER SIZES AVAILABLE. REFER TO SOLLATEK FOR DETAILS		
For more information on the Sollatek's Voltage Switcher Range refer to the Voltshield brochure or visit www.sollatek.com		

Sollatek (UK) Ltd.

Unit 10, Poyle 14, Newlands Drive, Poyle, Slough, SL3 0DX, UK
 Tel: +44 (0)1753 688300 Fax: +44 (0)1753 685306
 Technical support: support@sollatek.com
 Sales: sales@sollatek.com www.sollatek.com