

# DISTRIBUTION SURGE PROTECTOR - DSP

## SPIKE/SURGE PROTECTION

### DESCRIPTION

The Sollatek DSP is available either as a single phase unit (DSP1P-0) or as a three phase unit (DSP3P-0). It is connected at the point of mains entry into the house, building or factory.

The Sollatek DSP prevents surges and transient overvoltages from filtering through the incoming mains supply and damaging sensitive electrical and electronic equipment.

The DSP will provide surge and spike protection to all equipment within. As the DSP is shunt connected and not in series, it is not current/load dependant and can therefore protect any distribution panel, making it an extremely cost effective way to protect the whole building.

The DSP employs Metal Oxide Varistor (MOV) technology to clamp the excess voltage between phases and earth to neutral to a safe level.

### APPLICATIONS

All electrical and electronic equipment with IEC style sockets within building.

### TIPS

Whilst the DSP is connected at distribution panel, there are still spikes and surges that are generated from within the building. Therefore for more valuable/sensitive appliances, additional individual protection is advisable.

### LED DISPLAY

The LEDs on the front of the panel indicate what level of protection is available on each of the three phases. On any phase, two LEDs illuminated indicates full protection available, one LED that partial protection is available. If no LEDs are illuminated on a phase it indicates that the protection on that phase is inoperative. In this case the unit should be returned for service as soon as possible.



### FEATURES



### PROTECTION AGAINST



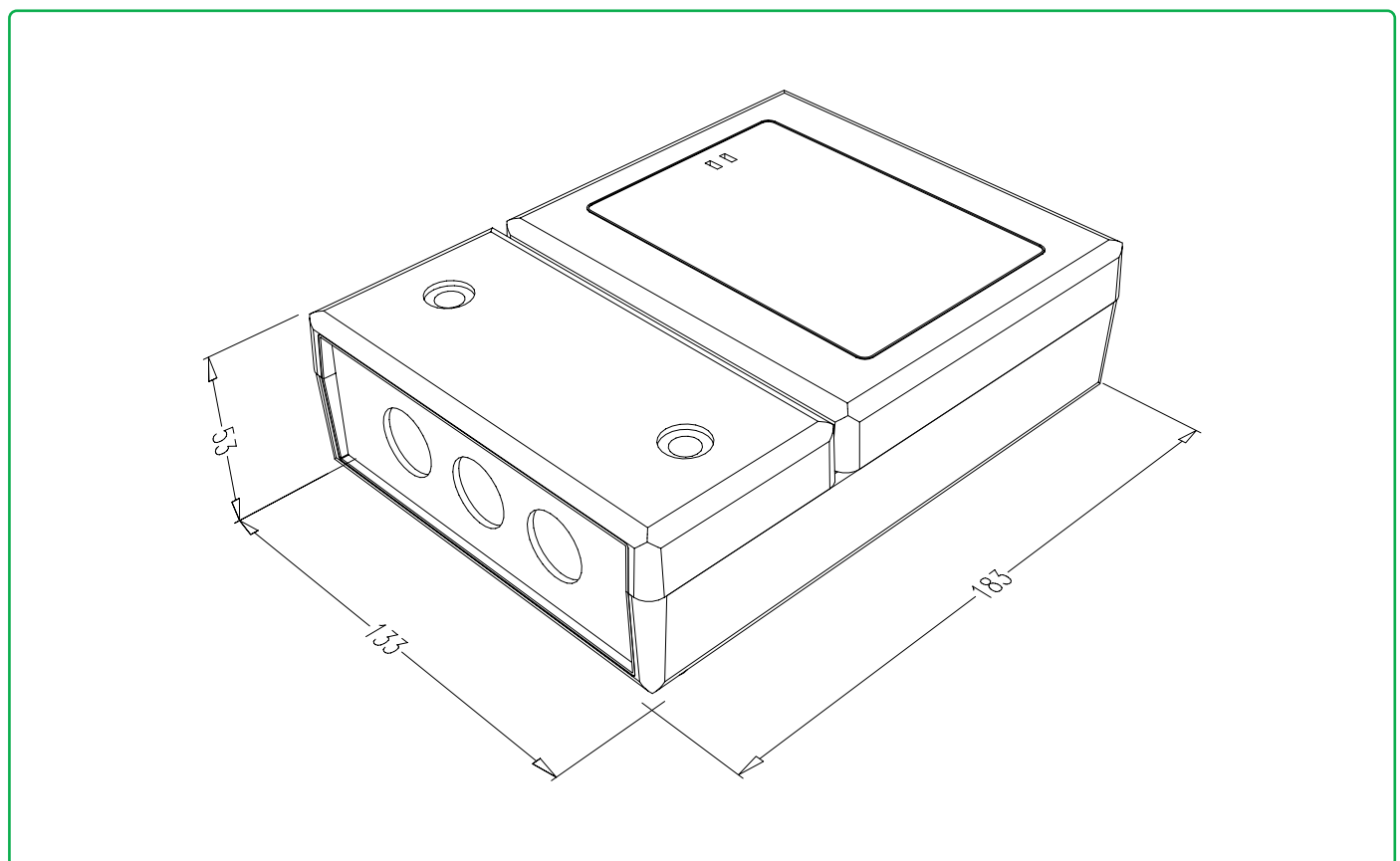
### PROTECTION FOR



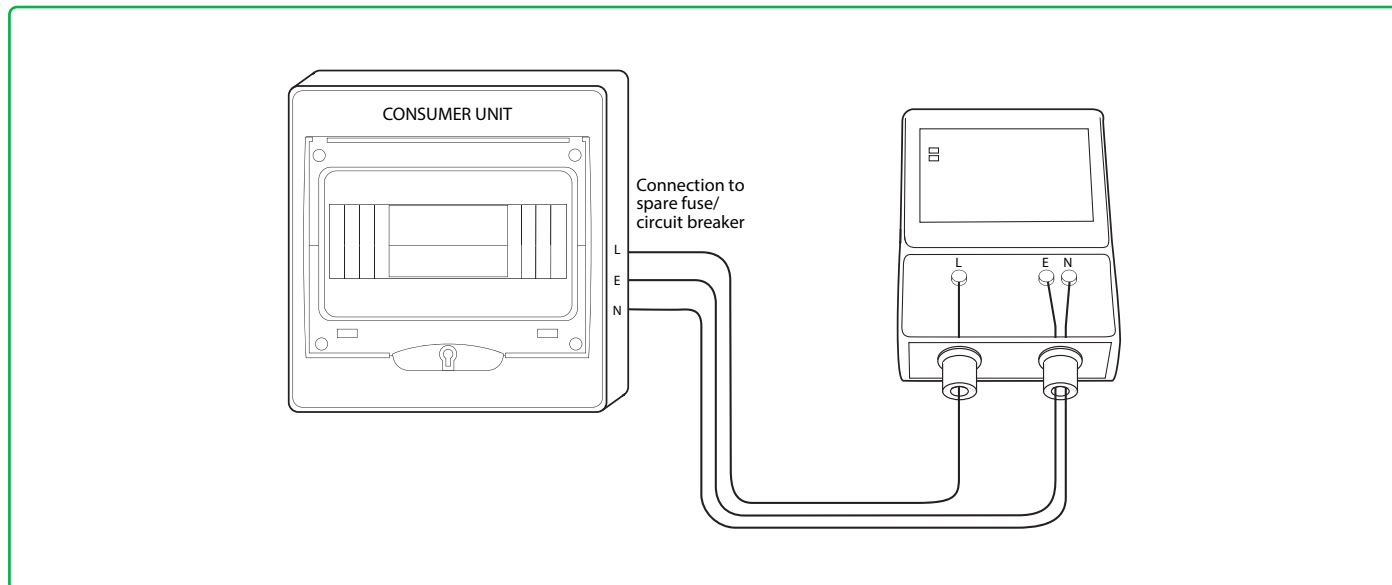
## TECHNICAL SPECIFICATION

MODEL	DSP1P-0	DSP3P-0
Nominal AC voltage ( $U_o$ ) L-N	230V <sub>RMS</sub>	230V <sub>RMS</sub>
Class	Class II and III	Class II and III
Phase	Single	Three
Socket Type	Direct wiring	Direct wiring
MAINS SPIKE PROTECTION		
Response Time (Nano Seconds)	<10	<10
Total Energy Rating (Joules)	1280J	2560J
Maximum Let through Voltage	750V	750V
Level of temporary over voltage ( $U_T$ ) L-N	320V <sub>RMS</sub>	320V <sub>RMS</sub>
Surge Current Rating (8/20 $\mu$ S) L-N	24kA – 1 time 18kA – 2 times	24kA – 1 time 18kA – 2 times
PHYSICAL		
Unit Dimension (L x W x H)	183 x 133 x 53 mm	183 x 133 x 53 mm
Weight Packed	500 g	500 g
PACKING DETAILS		
Carton Quantity	40	40
Pallet Quantity	480	480

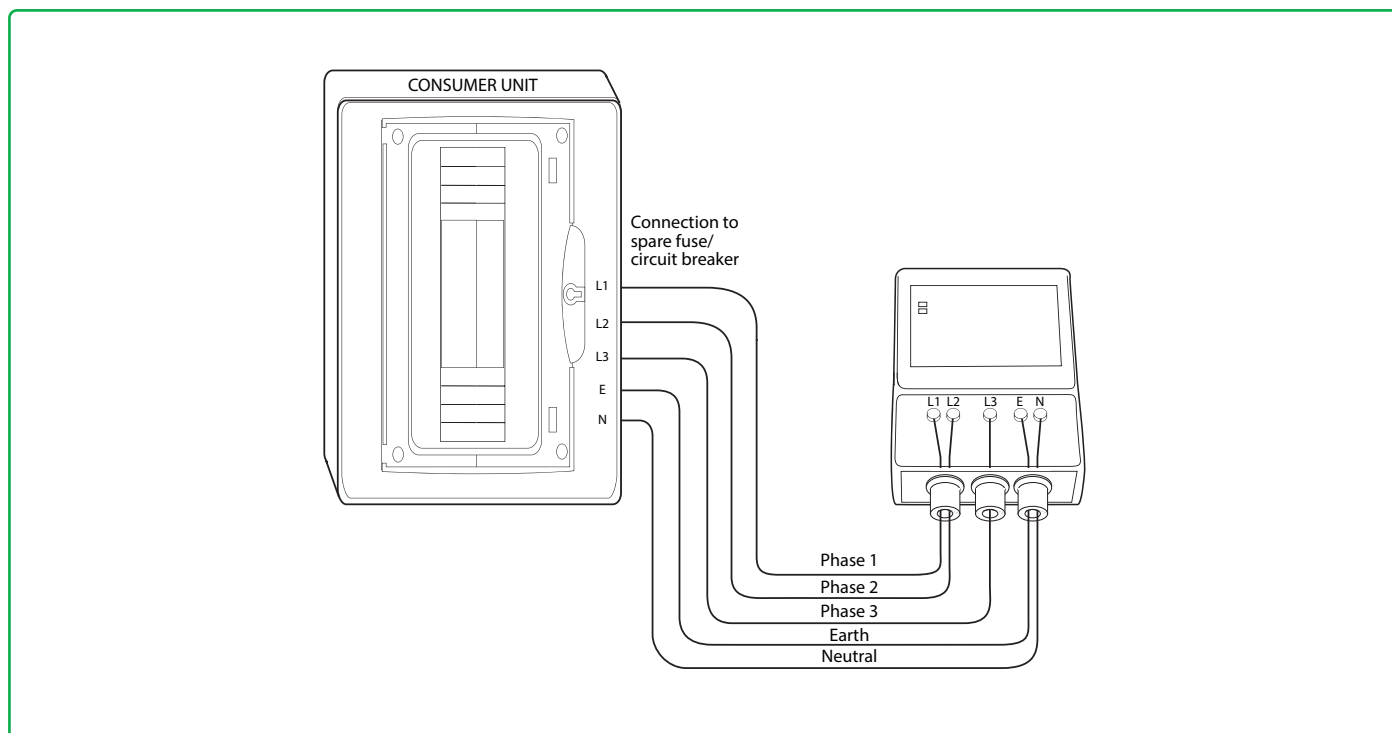
## DIMENSIONAL DRAWING



## CONNECTION DIAGRAM DSP1P-0



## CONNECTION DIAGRAM DSP1P-0



### SOLLATEK (UK) LIMITED

Sollatek House, Waterside Drive, Langley, Slough SL3 6EZ, United Kingdom

Tel: +44 (1753) 214 500  
 Email: sales@sollatek.com  
 Web: www.sollatek.com

ISO9001: 2015 accredited company  
 All weights and dimensions are approximate. Specifications are subject to change without prior notice. ©Sollatek (UK) Limited 2025. All Rights Reserved. SOLLATEK and the SOLLATEK device are the trade marks of the Sollatek group of companies.

