



FRIDGEGUARD

Under voltage protection

Description

The FridgeGuard is a plug in adaptor that protects refrigeration equipment from low voltage problems. It will protect against surges, spikes, low voltage, power cuts and power back surges. These conditions are harmful to electrical and electronic equipment.

Function

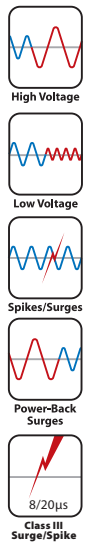
By disconnecting the power when it is bad, the FridgeGuard safeguards against short term and long term damage to ensure higher efficiency from your appliances. 3 minutes start-up delay is built-in to protect against frequent fluctuations to ensure proper compressor shutdown and start-up.

Applications

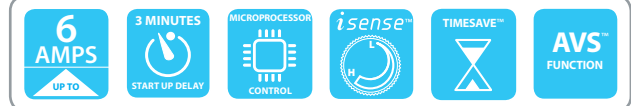
Ideal for protection of all fridges, freezers, coolers and all refrigeration equipment.

Tip

Low voltage is particularly damaging to the compressor of fridges and freezers. 3 minutes wait for reconnection to allow for decompression of the compressor.



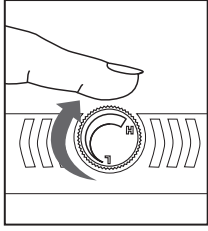
Features



Protection for



iSense™ function



The iSense™ technology allows you to control how sensitive the FridgeGuard is to voltage problems. Using the iSense™ dial you can set the desired level of protection and startup delay.

Dial settings

(H) High setting ensures greater protection by narrowing the acceptable voltage limits. This is ideal for users with less erratic mains supply that require better protection, typically in main cities where the power supply is fairly stable.

(L) Low setting ensures more working time as it will tolerate wider acceptable voltage limits. This is ideal for users with more erratic mains supply that constantly switches off, providing wider window of acceptable voltage limits.

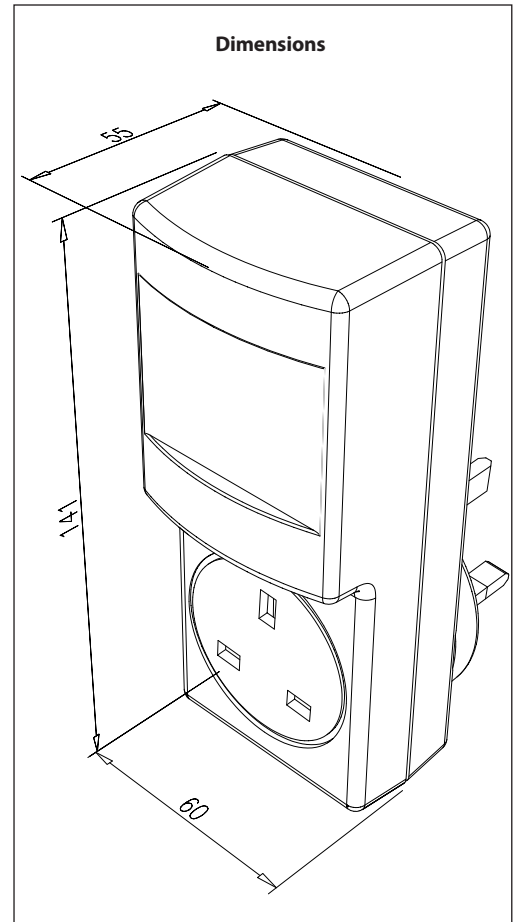
Specifications		
Model	FridgeGuard	
Current rating	6A	
Mains surge/spike response time	<10ns	
Mains max spike/surge discharge	6.5kA >3kA (8/20µs surges)	
Spike protection	160J	
Mains disconnect response time	Under-voltage	0.5 sec
Reconnect time	3 min	
TimeSave™ delay	10 sec	
iSense LVD high sensitivity	190VAC	
iSense LVD low sensitivity	180VAC	
IP rating	IP20	
Dimensions (mm)	unpacked:	140 x 60 x 90
	packed:	250 x 130 x 95
Packing details	Carton qty	24
	Pallet qty	1008
Weight (gm)	186	
Data line protection	Yes	
Socket availability	UK/ European/ Indian	

TIMESAVE™ function

TIMESAVE™ adds the following protective function:

The FridgeGuard has a built-in microprocessor which adds the advanced feature TimeSave™. TimeSave™ means that when the mains return to normal, the unit checks the duration of the OFF time. If the unit has been off for more than the standard wait time, then it will reconnect the mains within 10 seconds.

This means the FridgeGuard unit will give you more vital working time than any other switcher.



ITEM		PRODUCT CODE
FRIDGEGUARD – UK SOCKET	230V	92605000
FRIDGEGUARD – EUROPEAN SOCKET	230V	92605100
FRIDGEGUARD – 6A INDIAN SOCKET	230V	92605300

For more information on the Sollatek's Voltage Protection Range refer to the **Voltage protection catalogue** or visit www.sollatek.com

Sollatek (UK) Ltd.

Unit 10, Poyle 14, Newlands Drive, Poyle, Slough, SL3 0DX, UK
 Tel: +44 (0)1753 688300 Fax: +44 (0)1753 685306
 Technical support: support@sollatek.com
 Sales: sales@sollatek.com www.sollatek.com