

# Voltright™

## A/C-STAB M RANGE

VOLTAGE REGULATION AND STABILISATION  
FOR AIR CONDITIONERS

### Description

As both high and low mains voltage can damage your electrical equipment, the Sollatek A/C - Stab is designed to monitor and correct the incoming supply continuously.

If the voltage rises or drops, it will correct the output to ensure that the voltage reaching your equipment remains within the operating range of the appliances connected to it. See table in the next page.

The Sollatek A/C - Stab is easy to use, with a red LED indicating a problem with the voltage input, and a green LED indicating good input, and has an on/ off switch to power the unit.

### Applications

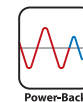
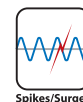
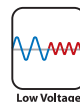
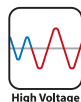
Suitable for air conditioners.

### Features

- Microprocessor controlled stabiliser
- Includes surge and spike suppression
- Fast response
- Incorporates over-voltage and under voltage disconnect (HVD+LVD function)
- 3 min startup delay
- Incorporates TIMESAVE™ function
- British design



### Protection against:

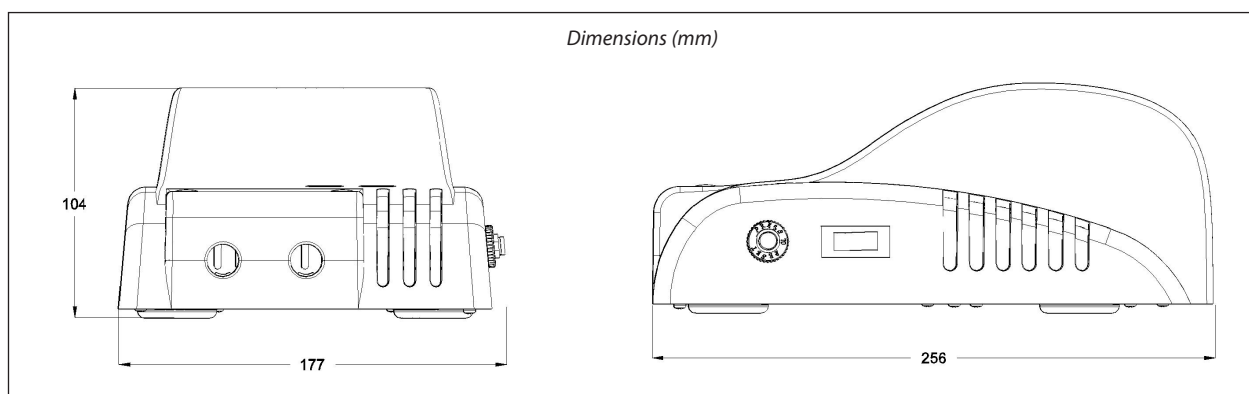


### Features:



## TECHNICAL SPECIFICATIONS

Product	A/C-Stab 120M
Application	Air Conditioner
Output Current (A) @45°C	12A RMS
<b>Regulation Range</b>	
Input	164-294V
Output	180-250V
<b>Voltage Limits</b>	
Vout High Disconnect	250V
Vout Low Disconnect	180V
Vout Low Reconnect	185V
Reconnect Time Delay	3min
Intelligent Time Delay	Yes
Spike Protection	190J, 6kA
Sockets	Direct
Plug	Direct
Display LEDs	LVD/HVD (Red), On (Green)
<b>Enclosure</b>	
Type	Wall Mount
Material	Metal + Plastic (Flame Retardant UL94 V-0)
Weight	3.5Kg
Dimensions mm ( D x L x H )	104 x 256 x 177
<b>Packing</b>	
Type	3 colour carton
Qty per carton	3
Qty per pallet	198



### AVS™ function



The AUTOMATIC VOLTAGE SWITCHER (AVS™) function adds the following protective function: When the mains power supply fluctuates outside pre-set tolerances (nominally (152V-270V)) the power to your air conditioner is disconnected.

The AVS monitors the voltage for a short period to ensure the power has stabilised before re-connecting. In addition, the start-up delay (3 min) provides protection against power-back surges commonly experienced after resumption of power in a power cut situation. Surge and spike protection is also incorporated to ensure protection against these events which are very common. They are generated by lightning and nearby switching off and on of other equipment such as vacuum cleaners, pumps, motors, television, elevators etc.

### TIMESAVE™ function



TIMESAVE™ adds the following protective function:

The built-in microprocessor adds the advanced feature TimeSave™. TimeSave™ means that when the mains return to normal, the unit checks the duration of the OFF time. If the unit has been off for more than the standard wait time (3 min), then it will reconnect the mains within 10 seconds. This means the Sollatek unit will give you more vital working time than any other stabiliser.

The 3 minute delay allows compressors to neutralise before re-starting.

PRODUCT CODE	ITEM
99MA1202	A/C-STAB120M 12A 164-294/180-250V 3MIN

**Sollatek (UK) Ltd.**

Unit 9/10, Newlands Drive, Poyle 14 Industrial Estate, Colnbrook, Slough, Berkshire SL3 0DX UK  
 Tel: +44 (0)1753 688300 Fax: +44 (0)1753 685306 Technical support: support@sollatek.com Sales: sales@sollatek.com www.sollatek.com