



# Freecom FCAX2™

## Temperature control, voltage protection and optional energy saving for all fridges, freezers, and coolers

The FCAX2 has the option of controlling three separate outputs (compressor, Aux1 and Aux2) and has two probe inputs. It provides very accurate temperature control to your refrigeration appliance, energy saving possibility, timed and/or temperature controlled defrost and protects equipment from over and under voltage. It provides reliability and immunity from environmental factors such as humidity and altitude. A connection port is provided for programming, display or mobile modem connection. These factors make the FCAX2 the total solution for all refrigeration equipment.



Current rating	1x16A 2x3A
Weight (Kg)	0.107
Dimensions (mm)	58 x 82 x 42
No. Temp probe inputs	2
No. control outputs	Up to 3

*Order probes separately*

### Features:

- Highly accurate temperature measurement and control – not affected by barometric pressure
- Direct retrofit to the electro-mechanical thermostat
- Two external remote temperature probes for precise measurement of air, evaporator or condenser
- Temperature dial user adjustable in-situ. Range can be OEM specified
- Automatic delay with TimeSave™ function
- Timed/automatic defrost
- Suitable for evaporator control or air control
- Energy saving features
- Connects to display module or mobile modem
- Can Interface to door switch
- Wide operating voltage (80Vac to 300Vac) for universal stocking
- High voltage protection
- Low voltage protection
- Spike/surge protection
- In-circuit programming – allowing the units to be re-programmed while installed in the field
- SPP01 USB programmer and configuration software available
- Encapsulated circuit board to give water splash resistance for rugged applications
- UL certified
- Atex certification pending

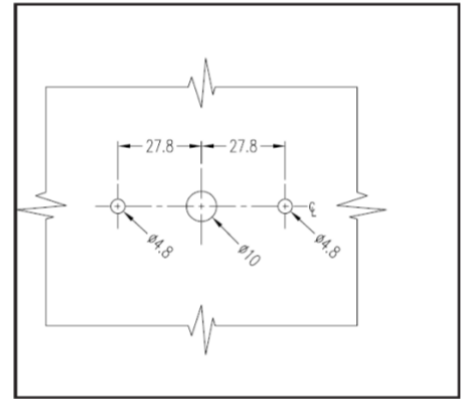
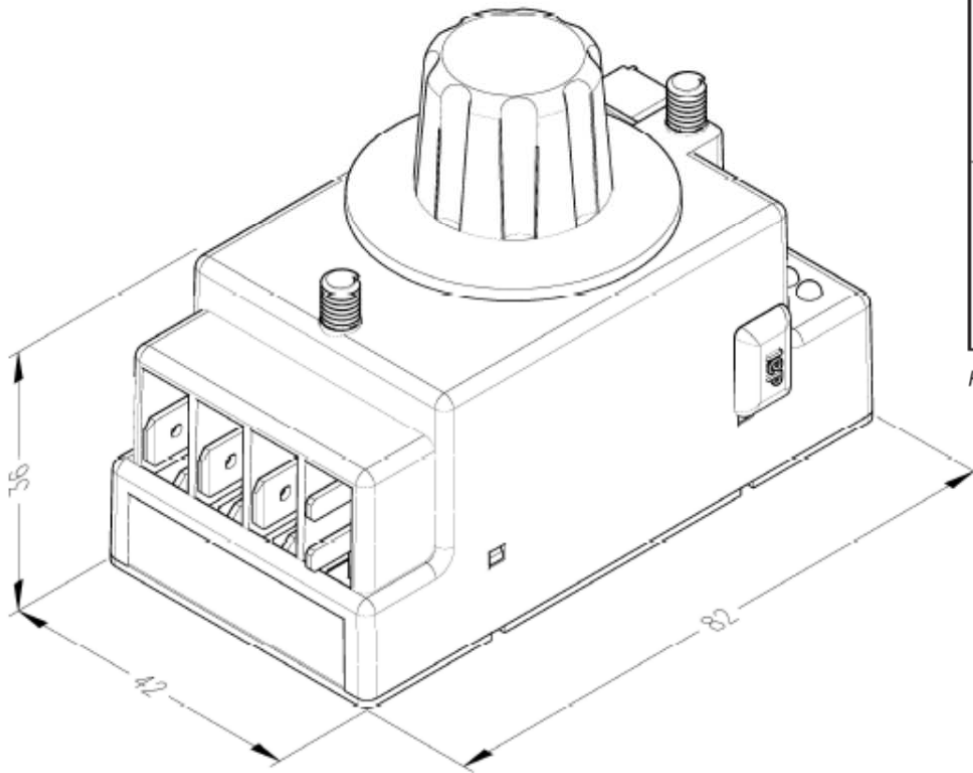
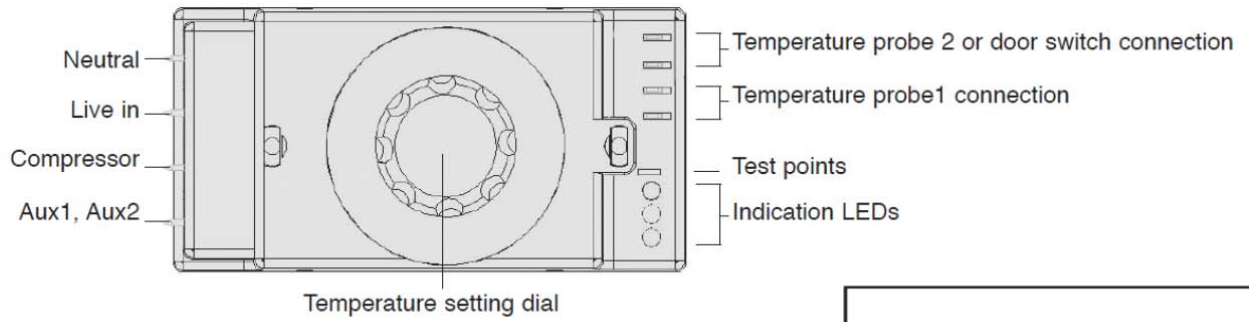


## Specifications

Nominal Voltage	230V	115V
High Voltage Disconnect*	266V	133V
High Voltage Reconnect*	260V	130V
Low Voltage Disconnect*	180V	90V
Low Voltage Reconnect*	186V	93V
Voltage range	80 to 300VAC	
Time Delay*	180 Secs	
Under Voltage Blind Time*	2 Secs	
Immediate Disconnect Voltage*	150V	
Over Voltage Blind Time*	0.5 Secs	
Control	Microprocessor	
Temperature Control*	Air and evaporator	
Defrost Control*	Timed or active	
Energy Saving*	Temperature set-back and fan cycling	
Voltage Protection*	High voltage and low voltage	
Over temperature protection*	Compressor probe	
Output- compressor	16A 250VAC 70A Inrush Current @240VAC 140A Inrush Current @120VAC 0.75HP @ 120VAC 1.5HP @ 240VAC 4000 VA Breaking Capacity	
Output - Aux1, Aux2	3A 250VAC 40A Inrush Current @240VAC 80A Inrush Current @120VAC 0.125HP @ 120VAC 0.25HP @ 240VAC 750 VA Breaking Capacity	
Indication	3 off LEDs	
Data interface	To digital display or Mobile modem for remote collection of data via a web server	
Central knob	0-9 with off position	
Mounting	2 off M4 plastic studs, nuts provided	
Programming connector	Mini USB connector	
Door switch	Via second probe input or data interface	
Temperature control	-28°C to +25°C	
Overheat alarm	+30°C to +120°C	
Working frequency	Auto-sense 50/60Hz	
Surge Protection	6.5kA	
Power Connections	0.25µ spade terminals suitable for push-on crimps	
Environmental	Sealed and protected against water, humidity, dust and insects	
Unit Dimensions (mm)	80 x 42 x 60	
Unit Weight	100gms	
Temperature Probe Type	Thermostat	
Temperature Probe Length	1 meter or 3 meters (different lengths available)	
Packing Specifications	Supplied in a carton containing 100 units	
Carton Dimensions (cm)	53 x 44 x 28	
Carton Weight	11.5Kgms	
Cartons per Pallet	10 (or 1000 units per pallet)	
Pallet Dimensions (cm)	120 x 100 x 90	
Pallet Weight	130Kgms	

All the above mentioned operational parameters are configurable based on the customer's needs.

\* Programmable



Fixing centres

Stock No	Description
92370310	FreoCom <b>FCA12</b> 1xO/P 2xI/P 90-300V
92370320	FreoCom <b>FCA22</b> 2xO/P 2xI/P 90-300V
92370330	FreoCom <b>FCA32</b> 3xO/P 2xI/P 90-300V

9T23010B	Temp Probe 3mm Black 1m -20C to +20C
9T23010B-D	Temp Probe 3mm Blk 1m -20C~+20C Dipped
9T23010R	Temp Probe 3mm Red 1m -20C to +20C
9T23010W	Temp Probe 3mm White 1m -20C to +20C
9T23030B	Temp Probe 3mm Black 3m -20C to +20C
9T25010B	Temp Probe 5mm Black 1m -20C to +20C
9T25015B	Temp Probe 5mm Black 1.5m -20C to +20C
9T25030B	Temp Probe 5mm Black 3m -20C to +20C
9T26010B	Temp Probe 6mm Black 1m -20C to +20C
9T26030B	Temp Probe 6mm Black 3m -20 to +20C

*Sollatek*

**Sollatek (UK) Ltd.**

Unit 10, Poyle 14, Newlands Drive, Poyle, Slough, SL3 0DX, UK  
 Tel: +44 (0)1753 688300 Fax: +44 (0)1753 685306

Technical support: support@sollatek.com Sales: sales@sollatek.com www.sollatek.com