


Voltright™

SVS20-22

VOLTAGE PROTECTION AND STABILISATION
FOR ALL ELECTRICAL AND ELECTRONIC EQUIPMENT

Description

As both high and low mains voltage can damage your electrical equipment, the Sollatek SVS is designed to monitor and correct the incoming supply continuously.

If the voltage rises or drops, the SVS will stabilise the output to ensure that the voltage reaching your equipment remains constant at 230V (+6%) or 110V (+6%) for US voltage systems, within the operating range of the unit. See table in the next page.

The Sollatek SVS has a modern state of the art 7 LED display to indicate accurately the state of the input at all times and 5 LED s to indicate the output voltage supplied to your load.

Applications

The SVS also protects your electrical equipment against power spikes and surges. Using the SVS ensures a stable, and clean voltage supply to your equipment.

The SVS20 is suitable for all electrical and electronic appliances, including: air conditioners, computers, fridges, TV, satellite, and any electrical appliance rated up to 20A.

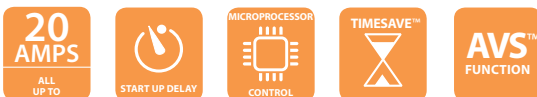
Features

- Microprocessor controlled stabiliser
- Very wide input voltage range
- Excellent output voltage stability (+/-6%)
- Includes surge and spike suppression
- Extremely fast response
- Incorporates over-voltage & under voltage disconnect (AVS function)
- 10 second start-up delay as standard (modifiable)
- Incorporates TIMESAVE™ Function.
- British design



SVS20-22 (Plastic casing)

Features:



Protection against:

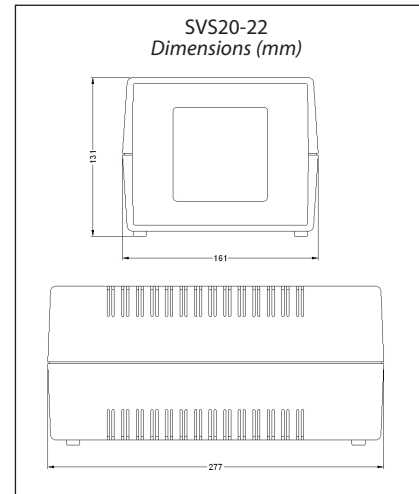


Protection for:



TECHNICAL SPECIFICATIONS

	230V	115V
Stabilisation		
Input	-26% to 19% (171-272V)	(86-136)
Output	±6% (216-244)	(108-122)
Input	-29% to 23% (164-282)	(82-136V)
Output	±10% (207-253)	(104-127)
Over voltage		
Disconnect	292V	72V
Reconnect	149V	74V
Under voltage		
Disconnect	144V	72V
Reconnect	149V	74V
Wait time on start up	Standard delay: 10 seconds. For a different delay refer to your dealer. For refrigeration equipment, use 3 minute delay.	
Frequency	45-75Hz	
Response time	Within 0.1 seconds. Up to 764V per second	
SVS20 VA@240V	4800	
Connection type	Cable or terminal	
Weight (Kg)	14	
Standards	Manufactured to comply with :- ISO9001:2000, CE, EN 50081-1:1992, EN 50082-1:1998, EN 55022:1998, EN 61000-4-2:1995/1998, EN 61000-4-3:1996, EN 61000-4-4:1995, EN 61000-4-5:1995, EN 61000-4-6:1996, EN 61000-4-11:1994, DD ENV 50204, BS EN 61558-1, EN 60065, EN 60555	
Correction speed	764 Volts per second	
Power factors	Unaffected by load power factor	
Technology	Relay, transformer tap switching	
Efficiency	>97% (at 100% linear load)	
Control	Microcontroller based control system provides self checks, system integrity monitoring and diagnostic indicators	
Control protection	Internal surge arrestors and filters in control circuit protect against disturbances. Filtering algorithms and fault tolerant software protect against disturbances and false measurements.	
Temperature range	0 to +55°C	
Relative humidity	>95%, non condensing	
Acoustic noise	< 45 dB (A)	
Expected service life	> 25 years	



THE INPUT/OUTPUT VOLTAGE CHARACTERISTICS OF THE SVS ARE ILLUSTRATED IN THE TABLE BELOW:

		230V																		
INPUT	0-144	145	155	165	175	185	195	205	210	215	225	235	240	245	255	265	275	285	290	291
OUTPUT	off	182	196	208	221	233	221	232	237	215	225	235	240	218	228	237	248	255	259	off

		115V																		
INPUT	0-72	73	78	83	88	93	98	103	105	108	113	118	120	123	128	133	138	143	145	146
OUTPUT	off	91	98	104	111	117	111	116	119	108	113	118	120	109	114	119	124	128	130	off

ITEM	PRODUCT CODE	
SVS20-22 TERMINAL	98220000	For more information on the Sollatek's Voltage Stabilisation Range refer to the Voltright SVS brochure or visit www.sollatek.com
SVS20-22 CABLE	98220060	

Sollatek (UK) Ltd.

Unit 10, Poyle 14, Newlands Drive, Poyle, Slough, SL3 0DX, UK
Tel: +44 (0)1753 688300 Fax: +44 (0)1753 685306 Technical support: support@sollatek.com Sales: sales@sollatek.com www.sollatek.com