

Voltright™

SVS04E-22 VOLTAGE STABILISER

VOLTAGE PROTECTION AND STABILISATION
FOR ALL ELECTRICAL AND ELECTRONIC EQUIPMENT

Description

As both high and low mains voltage can damage your electrical equipment, the Sollatek SVS is designed to monitor and correct the incoming supply continuously.

If the voltage rises or drops, the SVS will stabilise the output to ensure that the voltage reaching your equipment remains constant at 230V (+7%). For full input / output voltage profile, please see table in the next page.

The Sollatek SVS has a modern state of the art 7 LED display to indicate accurately the state of the input at all times and 5 LED s to indicate the output voltage supplied to your load.

Applications

The SVS also protects your electrical equipment against power spikes and surges. Using the SVS ensures a stable, and clean voltage supply to your equipment.

The SVS is suitable for all electrical and electronic appliances, including: air conditioners, computers, fridges, TV, and satellites.

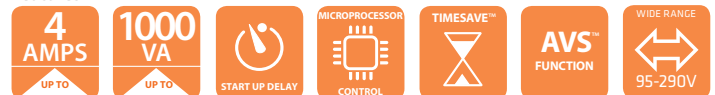
Features

- Microprocessor controlled stabiliser
- Solid state with no moving parts
- Requires no maintenance
- Very wide input voltage range (95-290V)
- Excellent output voltage stability
- Includes surge and spike suppression
- Extremely fast response
- Incorporates over-voltage & under voltage disconnect (AVS function)
- 6 minute startup delay
- Incorporates TIMESAVE™ Function (10 second start-up delay after long duration powercut)
- Compact modern design incorporating lightweight, high grade flame retardant ABS
- Modern 7 segment LED display for input & output voltage
- British design



SVS04
with 2 outlets

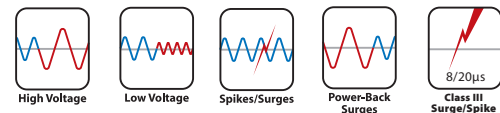
Features



Protection for



Protection from



Advanced features

- The Sollatek SVS boosts low voltage.
- The Sollatek SVS reduces high voltage.
- The Sollatek SVS disconnects the load (fridge, TV, PC etc) using its built-in Automatic Voltage Switcher (AVS™), when mains stabilisation within acceptable limits is outside its capability.
- Automatically reconnects the load, but only after the mains has remained within acceptable limits for a period of 10 seconds to 6 minutes depending on the model. (TimeSave™). This is to allow neutralisation of compressor gases, critical in such applications.
- Has a very wide voltage response range of 100V to 260V (-55% to 16%). (see table of input and output voltage responses).
- Incorporates TimeSave™ function
- Uses a unique zero voltage switching technique to achieve clean pure stabilised power.
- Incorporates full surge and spike protection.
- Frequency and voltage measurement smoothing in software to filter noise.
- Fault detection - senses if the measurements being made are unreasonable and disconnects output. Red and yellow LEDs flash alternately to indicate a fault.



TIMESAVE™ function

TIMESAVE™ adds the following protective function:

Some Sollatek units have a built-in microprocessor which adds the advanced feature TimeSave™. TimeSave™ means that when the mains return to normal, the unit checks the duration of the OFF time. If the unit has been off for more than the standard wait time, then it will reconnect the mains within 10 seconds. This ensures the Sollatek unit will give you more vital working time than any other stabiliser. The duration of the start-up delay period varies between 10 seconds and 10 minutes, depending on the model. For refrigeration and air-conditioning equipment, a delay of 3-4 minutes is recommended. The 3-4 minute delay allows compressors to neutralise before re-starting.

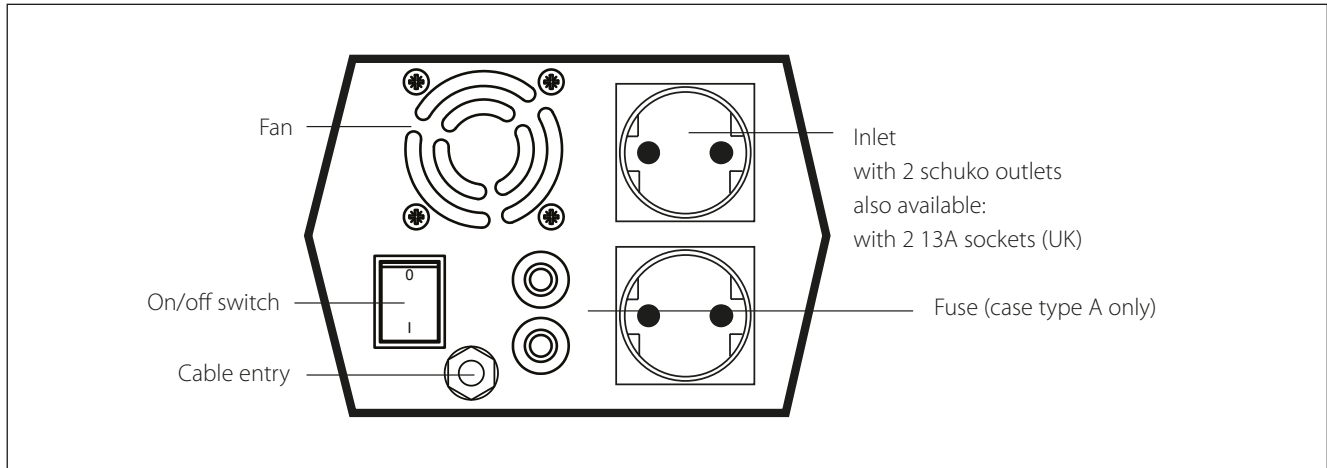
General Specifications

Input/output range	
Input range	-55% to 16%.
Output accuracy	± 7%.
Frequency range	45Hz to 75Hz.
Regulator range @ 230V	+/-7% for input 218V-247V, -20% to +7% for input 100V-265V. Please input/output voltage table on the next page.
General	
Derating factor	10% to 15% per 10°C above 40°C.
Synchronization	Output synchronized to input.
Permissible overload	1000% for 100ms, 150% for 4 minutes, 110% for 15 minutes.
Load types	Designed to run lighting, motors, battery chargers, communications equipment, office equipment, SMPS, air-conditioners, compressors, industrial machines, medical equipment and others. Suitable for all domestic, commercial and industrial sites.
Technology	Transformer tap switching using relay based.
Efficiency	>97% (at 100% linear load).
Control	Microcontroller based control system provides self checks, system integrity monitoring and diagnostic indicators.
Control protection	Internal surge arrestors and filters in control circuit protect against disturbances. Filtering algorithms and fault tolerant software protect against disturbances and false measurements.
Ambient temperature range	0 to +55°C.
Relative humidity	>95%, non condensing.
Acoustic noise	< 45 dB (A).
Expected service life	> 10 years.
Standards	Manufactured to comply with :- ISO9001:2000, CE, EN 50081-1:1992, EN 50082-1:1998, EN 55022:1998, EN 61000-4-2:1995/1998, EN 61000-4-3:1996, EN 61000-4-4:1995, EN 61000-4-5:1995, EN 61000-4-6:1996, EN 61000-4-11:1994, DD ENV 50204, BS EN 61558-1, EN 60065, EN 60555.
Correction speed	750 Volts per second.
Response	Within 0.1 second.
Wait time on start up	6 minute start up delay with TimeSave function of 10 seconds. Different start up delay models available.
Efficiency	88% at 25% load, 94% at 50% load, 96% at 75% load, 97% at 100% load.
Power factors	Unaffected by load power factor.
AVS™ function	Automatic voltage switcher: output is switched off to protect device against over and under voltage (available on certain models only).
TimeSave™ function	Reduced startup delay if unit was off for more than the standard delay period to 10 seconds. Available on models with AVS function.

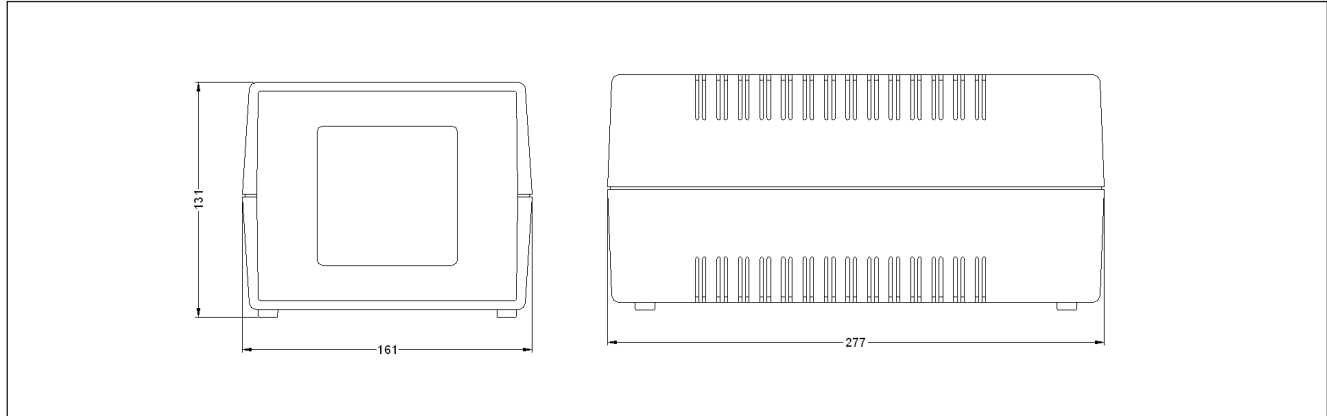
Input and Output voltage response

		230V																																					
INPUT	95	100	105	110	115	120	125	130	135	140	145	150	155	160	165	170	175	180	185	190	195	200	205	210	215	220	225	230	235	240	245	250	255	260	265	270	275	280	290
OUTPUT	OFF	182	191	200	209	218	227	236	211	219	227	235	242	216	223	230	236	243	215	221	227	232	238	244	215	220	225	230	235	240	245	215	219	224	228	233	238	242	OFF

Rear panel (showing connections)



Dimensions (mm)



ITEM SVS04-22E, 4A, 1KVA 100-260V, 6MIN, EURO	PRODUCT CODE 98204E16
---	---------------------------------



SOLLATEK UK LTD.

Tel: +44 (1753) 214 500

sales@sollatek.com
www.sollatek.com

ISO9001: 2008 accredited company

All weights and dimensions are approximate. Specifications are subject to change without prior notice. ©Sollatek (UK) Limited 2012. All Rights Reserved. SOLLATEK and the SOLLATEK device are the trade marks of the Sollatek group of companies.



For more information on Sollatek's Power protection Range refer to the VP Catalogue. or visit www.sollatek.com

Sollatek (UK) Ltd.
Sollatek House, Waterside Drive, Langley, Slough SL3 6EZ UK

MJA	19.12.2017
-----	------------