


Voltshield™

AUTOMATIC VOLTAGE SWITCHER AVS100

OVER AND UNDER VOLTAGE PROTECTION

Description

The AVS is an Automatic Voltage Switcher rated at 100 Amps (AVS100). The AVS will switch off the equipment connected to it if the mains power goes outside preset acceptable limits and will re-connect automatically - when the mains power returns to normal. Re-connection takes place after a 3 minute delay ('the start-up delay') to ensure stability of the mains.

In addition, the start-up delay provides protection against power-back surges commonly experienced after resumption of power in a power cut situation.

Surge and spike protection is also incorporated to ensure protection against these commonly occurring events.

Applications

Air-conditioners, large fridge/freezers, whole office.

Tips

Rated at 100 amps for use with a number of air-conditioners and/or whole office or factory. Direct wiring adds security of installation.



Protects against



High Voltage



Low Voltage



Spikes/Surges

Power-Back
SurgesBasic
Lightning

Features



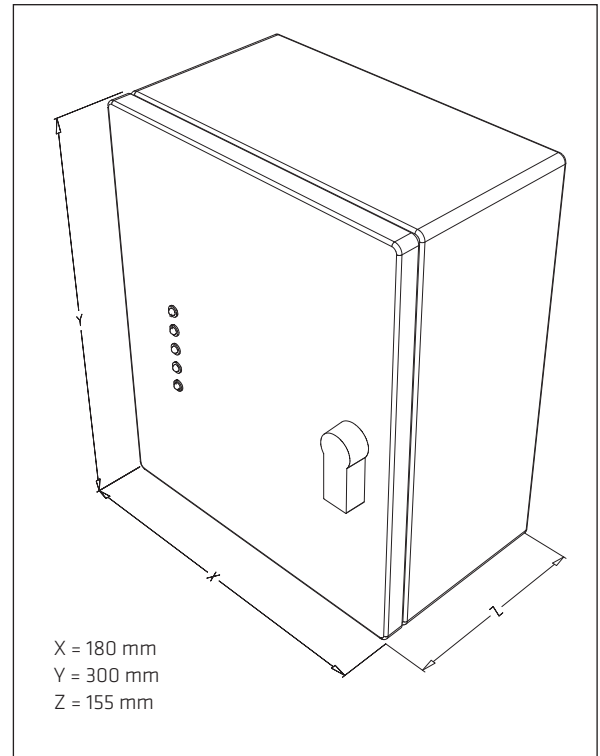
Protection for



Specification

Model	AVS100	
Nominal Voltage	110 V	230 V
Watts	11,000	24,000
Frequency	50/60 Hz	
Load Current	100 A	
Inrush Current (for 20 msec)	500 A	
Max. Consumption (mA)	<100 mA	
Wait Time	3 mins	
Over-voltage Disconnect	132 V	265 V
Over-voltage Reconnect	128 V	260 V
Under-voltage Disconnect	92 V	185 V
Under-voltage Reconnect	95 V	190 V
Max. Supply	160 V	320 V
Spike / Surge Protection		
Joules	80	160
Amps	6500 A (8/20us)	
Response	10 nsec	
Response Time (Over-voltage)	<20 msec	
Response Time (Under-voltage)	1 sec	
Brown-out Response Time	20 msec	
Approx. Packed Weight	6.4 kg	
Packed Dimensions (L x W x H)	180 x 155 x 300 mm	
Shipping Carton Quantity	1	
Shipping Carton Dimensions (L x W x H)	280 x 220 x 360 mm	
Socket Type	Direcr via screw terminal	

AVS100 Dimensions



TIMESAVE™ Description

The Voltshield has a built-in microprocessor which adds the advanced feature TIMESAVE™. TIMESAVE™ means that when the mains returns to normal, the Voltshield checks the duration of the OFF time. If the OFF time has been more than 3 minutes then it will reconnect the mains within 30 seconds rather than the standard 3 minutes. This means the Sollatek Voltshield will give you more vital working time than any other switcher.

Voltshield Features

- Protects and prolongs the useful life of electrical appliances
- Eliminates the need to switch off appliances every time the electricity fails
- Safeguards valuable electrical appliances at all costs
- Very low cost protection in relation to the value of appliances
- Different models available

ITEM
AVS100-3-22 100A AC1 230V

PRODCY CODE
91100027

For more information on the Sollatek Voltage Switcher range
Refer to the **Voltshield brochure** or visit
www.sollatek.com

Sollatek™
the power to protect

Sollatek (UK) Ltd. Sollatek House, Waterside Drive, Langley, Slough, SL3 6EZ, UK

Tel: +44 (1753) 214 500 Technical support: support@sollatek.com Sales: sales@sollatek.com www.sollatek.com

MJA

31/07/2019