



SOLLATEK ULTIMA LCD UPS

UNINTERRUPTIBLE POWER SUPPLY

COMPLETE PROTECTION FROM
VOLTAGE FLUCTUATIONS AND BACK-UP POWER
FROM MAINS FAILURE -
FOR ALL YOUR HOME AND OFFICE APPLIANCES



ULTIMA LCD UPS

Uninterruptible power supply

Introducing the NEW Sollatek Ultima LCD UPS



With its unique LCD screen, the new Sollatek Ultima range gives you more. The Ultima LCD UPS is more interactive allowing you to monitor its performance and get the best from your electrical equipment.

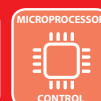
Power problems can threaten your business and affect productivity, performance and profitability. The busier and more complex your computer network, the greater the risk.

That is why it is essential to have an uninterruptible power supply (UPS) to protect your business.

With the potential price of a power failure, there is the added risk of commercial security compromising the safety of your systems.

The Ultima LCD UPS is safe and reliable and engineered by a name you can trust, Sollatek.

Features





Protect all your appliances from power failure and voltage fluctuations

Practical and useful features

- LCD readout displaying the voltage levels, battery charge and load level
- Standard output sockets allowing easy connectivity of home and audio appliances
- Built in stabiliser function with boost and buck
- Microprocessor controlled line interactive UPS
- Monitoring software for monitoring the PC and safe shutdown configuration
- Unique system for charging battery even during a brown out
- Short circuit and overload protection
- Cold start feature for load shedding environments
- Bad battery detection and advance replacement notification (3 months ahead)
- Green power function for energy
- Auto restart after power cuts
- Compact size and light weight
- Provides modem/phone line surge protection

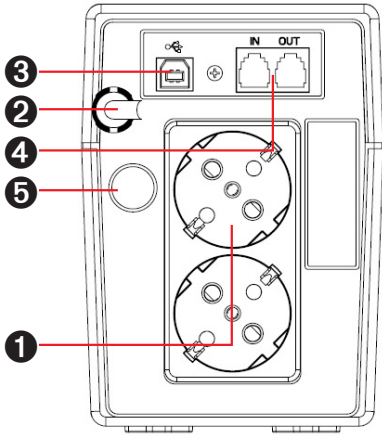


Ideal protection for all your multimedia equipment

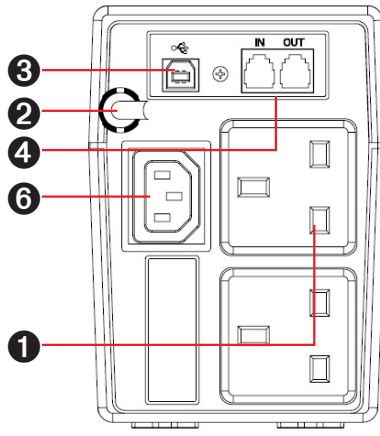
Protection for



REAR PANELS



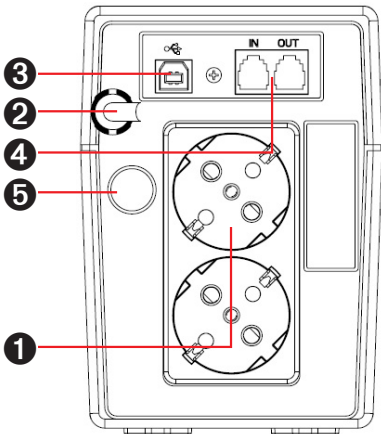
REAR PANEL 650 EU



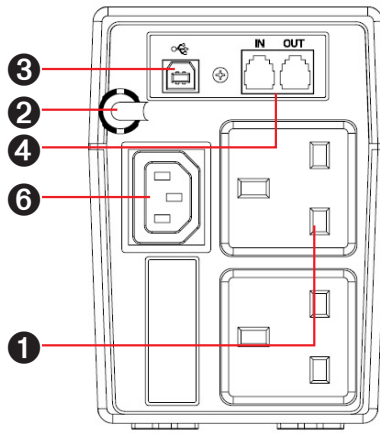
REAR PANEL 650 UK

KEY:

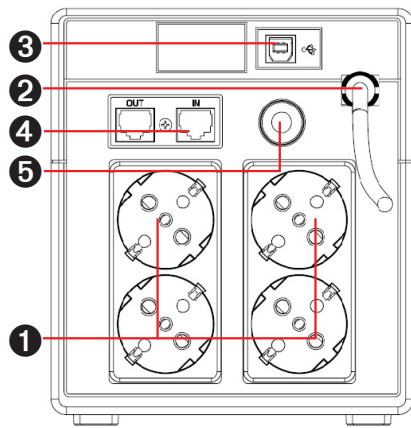
1. Output receptacles
2. AC input
3. USB port
4. Modem/Phone/ Network surge protection
5. Circuit breaker
6. IEC socket



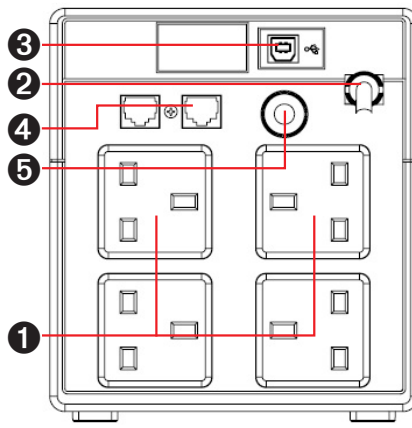
REAR PANEL 850 EU



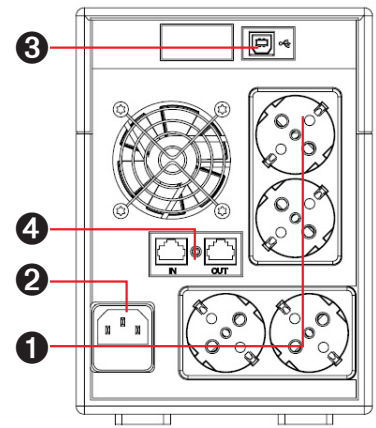
REAR PANEL 850 UK



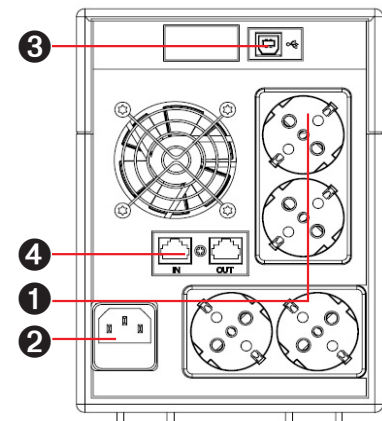
REAR PANEL 1000EU



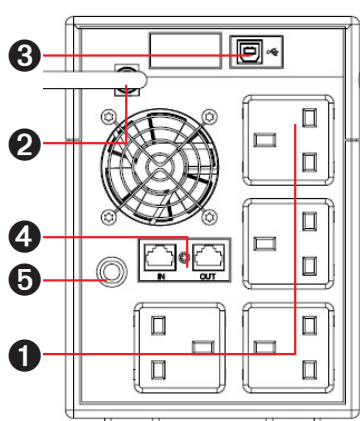
REAR PANEL 1000UK



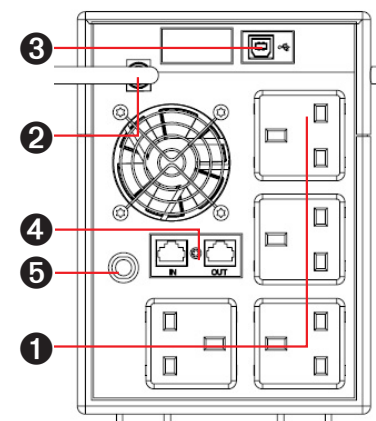
REAR PANEL 2000EU



REAR PANEL 1500EU



REAR PANEL 1500UK



REAR PANEL 2000UK

Specifications

Model	Ultima LCD 650	Ultima LCD 850	Ultima LCD 1000	Ultima LCD 1500	Ultima LCD 2000
CAPACITY	650VA/ 360W	850VA/ 480W	1000VA/ 600W	1500VA/ 900W	2000VA/ 1200W
INPUT					
Voltage	220/230/240 VAC				
Voltage Range	162-270 VAC				
OUTPUT					
Voltage Regulation	+/-10%				
Transfer Time	Typical 2-6 ms, 10 ms max.				
Waveform	Simulated Sine Wave				
BATTERY					
Type & Number	12V/ 7 Ahx1	12 V/ 9 Ah x 1	12 V/ 7 Ah x 2	12 V/ 9 Ah x 2	12 V/ 9 Ah x 2
Charging Time	4-6 hours recovery to 90% capacity				
PHYSICAL					
Dimension (DxWxH)mm	287 x 100 x 142	287 x 100 x 142	350 x 146 x 160	397 x 146 x 205	397 x 146 x 205
Net Weight (kgs)	4.25	4.9	8.0	11.1	11.5
ENVIRONMENT					
Humidity	0-90% RH @ 0-40° C (non-condensing)				
Noise Level	Less than 40 dB				
MANAGEMENT					
USB	Windows® 2000/2003/XP/Vista/2008/7, Linux, Unix and MAC				

LCD panel

1. Input information
2. Output information
3. AC mode indicator
4. Battery mode indicator
5. Load level indicator
6. Battery capacity indicator
7. Overload indicator
8. Low battery indicator
9. Fault indicator

Ultima LCD back-up times

Ultima LCD back-up times in minutes with load in %. *Times are approximate and depend on age of battery.*

	25%	50%	75%	100%
850	>16	>4.5	<1	<1
1000	>26	>5	2	1
1500	>23	>8.5	>3	>2
2000	>14	5	>1	<1

Stock code:	Description
97601065-EU	ULTIMA UPS650 220V 650VA LCD EURO
97601065-UK	ULTIMA UPS650 220V 650VA LCD UK
97601085-EU	ULTIMA UPS850 220V 850VA LCD EURO
97601085-UK	ULTIMA UPS850 220V 850VA LCD UK
97601102-EU	ULTIMA UPS1K 220V 1kVA LCD EURO
97601102-UK	ULTIMA UPS1K 220V 1kVA LCD UK
97601152-EU	ULTIMA UPS1.5K 220V 1.5kVA LCD EURO
97601152-UK	ULTIMA UPS1.5K 220V 1.5kVA LCD UK
97601202-EU	ULTIMA UPS2K 220V 2kVA LCD EURO
97601202-UK	ULTIMA UPS2K 220V 2kVA LCD UK

Sollatek's **expertise** extends **worldwide** through **local networks**



Global and Local

With a customer base across the world and a local presence in more than 50 countries, Sollatek is able to provide support services wherever you are.



SOLLATEK UK LTD.

Tel: +44 (1753) 214 500

sales@sollatek.com

www.sollatek.com



ISO9001: 2008 accredited company

All weights and dimensions are approximate. Specifications are subject to change without prior notice. ©Sollatek (UK) Limited 2012. All Rights Reserved. SOLLATEK and the SOLLATEK device are the trade marks of the Sollatek group of companies.



Sollatek (UK) Ltd.
Sollatek House, Waterside Drive, Langley, Slough SL3 6EZ UK