

SVS04-22E VOLTAGE STABILISER

VOLTAGE PROTECTION AND STABILISATION FOR ALL ELECTRICAL AND ELECTRONIC EQUIPMENT

DESCRIPTION

As both high and low mains voltage can damage your electrical equipment, the Sollatek SVS is designed to monitor and correct the incoming supply continuously.

If the voltage rises or drops, the SVS will stabilise the output to ensure that the voltage reaching your equipment remains constant at 230 V ($\pm 7\%$)*. For full input / output voltage profile, please see table in the next page. The Sollatek SVS04-22E has a bright and clear LED display to accurately read the input and output voltage as well as three status LEDs for quick load status indication.

The SVS also protects your electrical equipment against power spikes and surges. Using the SVS ensures a stable, and clean voltage supply to your equipment.

APPLICATIONS

The SVS04-22E is suitable for all electrical and electronic appliances, including: fridges/freezers, vaccine fridges/freezers, medical and laboratory equipment.

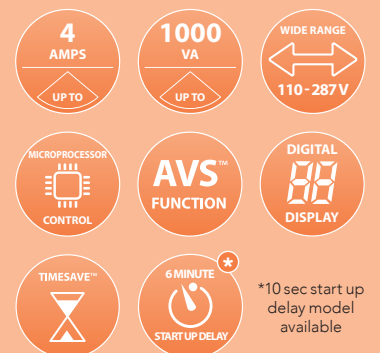
FEATURES

- Microprocessor controlled stabiliser
- Solid state with no moving parts
- Requires no maintenance
- Extremely fast response
- Excellent output voltage stability
- Very wide input voltage range (110 - 287 V)
- Includes surge and spike suppression and protection
- Incorporates over & under voltage disconnect (AVS™ function) when mains is extreme and outside working limits
- 6 Minute startup delay as standard to allow neutralisation of compressor gases, critical in such applications (10 second model also available)
- Incorporates TIMESAVE™ Function (10 second start-up delay after long duration powercut)
- Frequency/Voltage measurement smoothing via software to filter noise
- Compact modern design incorporating lightweight, high grade flame retardant ABS
- Modern 7 segment LED display for input & output voltage and 3 status LED indicators
- British design

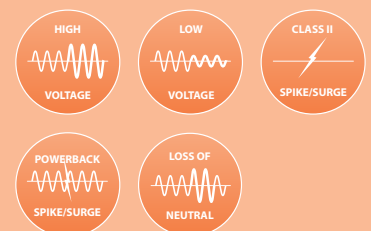


Actual unit may differ from shown

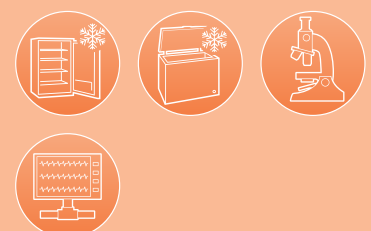
FEATURES



PROTECTION AGAINST



PROTECTION FOR



TECHNICAL SPECIFICATION

INPUT & OUTPUT					
Input Range		110 V to 287 V			
Output Range		202 V to 245 V			
Input Operating Range	Over Voltage	Disconnect	287 V		
		Reconnect	285 V		
	Under Voltage	Disconnect	110 V		
		Reconnect	116 V		
Load Current		4 A			
Frequency Range		35 Hz to 65 Hz			
GENERAL					
Derating Factor		10% to 15% per 10°C above 40°C			
Synchronization		Output synchronized to input			
Permissible Overload		Overload 1000% for 100ms, 720% for 10 seconds, 150% for 120 seconds			
Load Types		Fridges, Freezers, Medical Cold Chain (vaccine fridges/freezers), Laboratory and Medical Equipment, Computers, IT Equipment			
Technology		Transformer tap switching using relays			
Efficiency		88% at 25% load, 94% at 50% load, 96% at 75% load, 97% at 100% load			
Control		Microcontroller based control system provides self checks, system integrity, monitoring and diagnostic indicators			
Control Protection		Internal surge arrestors and filters in control circuit protect against disturbances. Filtering algorithms and fault tolerant software protect against disturbances and false measurements			
Ambient Temp Range		-30°C to +70°C when product is inactive -5°C to +55°C during use			
Relative Humidity		< 95%, non condensing			
Acoustic Noise		< 45 dB (A)			
Expected Service Life		> 10 years			
Standards		Manufactured to comply with: ISO9001:2000, CE, EN 50081-1:1992, EN 50082-1:1998, EN 55022:1998, EN 61000-4-2:1995/1998, EN 61000-4-3:1996, EN 61000-4-4:1995, EN 61000-4-5:1995, EN 61000-4-6:1996, EN 61000-4-11:1994, DD ENV 50204, BS EN 61558-1, EN 60065, EN 60555			
Correction Speed		750 Volts per second			
Response		Within 0.1 second			
Wait Time on Start Up		10 sec or 6 minutes (depending on model)			
Power Factors		Unaffected by load power factor			
AVS™ Function		Automatic voltage switcher: output is switched off to protect device against over and under voltage and automatically reconnects when safe			
TimeSave™ Function		Reduced startup delay if unit was off for more than the standard delay period to 10 seconds			
MECHANICAL					
Connection		Plug and Socket			
Unit Dimension WxHxD		161 x 131 x 277 mm	Weight		
Carton Dimensions WxHxD		290 x 180 x 550 mm			
Pallet Dimensions WxHxD		1000 x 1100 x 1200 mm			
			7.2 kg	Unit QTY	2
			17.0 kg		
			441.0 kg		

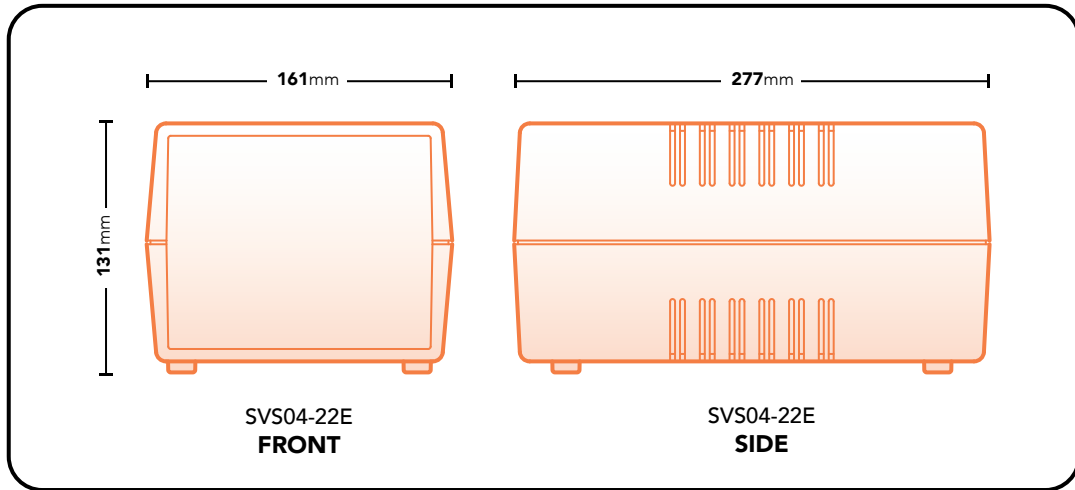
VOLTAGE TABLE

INPUT	OUTPUT
0-105	OFF
110	200/OFF
115	209
120	218
125	227
130	236
135	210
140	217
145	225
150	233
155	249/211
160	218
165	225
170	232
175	238
180	209
185	215
190	221
195	227
200	233
205	239
210	243/210
215	215
220	220
225	225
230	230
235	235
240	240
245	245/209
250	214
255	218
260	222
265	226
270	231
275	235
280	239
285	243
290	OFF

All weights and dimensions are approximate. Specifications are subject to change without prior notice. ©Sollatek (UK) Limited 2024. All Rights Reserved.

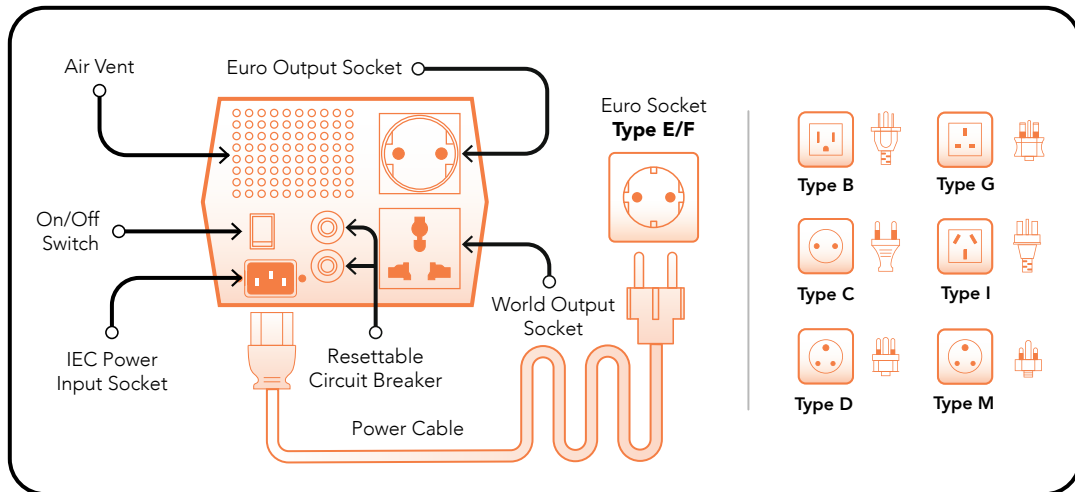


DIMENSIONAL DIAGRAM



i The diagrams presented are for illustrative purposes only. Detailed drawings are available upon request.

REAR PANEL DIAGRAM



+ Alternative plug types available: Type B, C, D, G, I and M. Other plug types not listed available upon request.

PRODUCT CODE	DESCRIPTION
98204E16	SVS04-22E 4A 1kVA 110-285V 6min Euro
98204E16-10	SVS04-22E 4A 1kVA 110-285V 10sec Euro

SOLLATEK (UK) LIMITED
 Sollatek House, Waterside
 Drive, Langley, Slough SL3 6EZ,
 United Kingdom
 Tel: +44 (1753) 214 500
 Email: sales@sollatek.com
 Web: www.sollatek.com

ISO9001: 2015 accredited company
 All weights and dimensions are
 approximate. Specifications are subject
 to change without prior notice. ©Sollatek
 (UK) Limited 2024. All Rights Reserved.
 SOLLATEK and the SOLLATEK device are
 the trade marks of the Sollatek group of
 companies.

