

FDM4x-S

LED display for all coolers and fridges/ freezers

FDM4x-S

The temperature display features 2 x 7 segment digits that are 30mm high.

The FDM4x-S is a plug-in display unit that connects to Sollatek FCA & FTB Electronic Temperature Controllers.

The FDM4x-S has saved settings that can be adjusted through 4x touch switches located on the front of the unit.

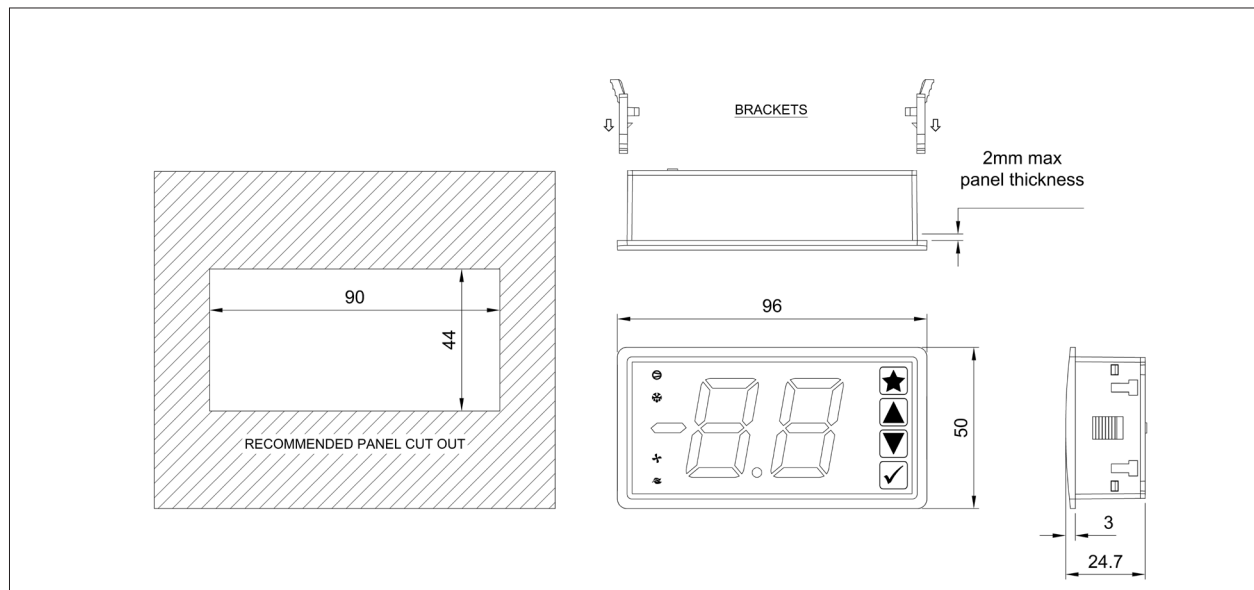
Five further annunciators are provided in the minus sign and 4x LEDs indicating run mode of the display.



Technical Specifications - FDM4x-S

Number of Digits	2
Type of Digit	7 Segment Red/Blue/Green LED (Each made from 14 SM LEDs)
Decimal Point	1
Digit Height	30mm (1.2")
Additional LEDs	1 x '-' sign + 4 x 3mm LEDs indicating Run Mode
Construction	Plastic enclosure, Panel Mount, Front Diffuser (Red/Blue/Green)
Adjustment	4 x capacitive touch switches to modify basic display settings
Lens Colour	Clear Black
IP Rating - Front	IP65 (Washable)
IP Rating - Rear	IP20
Display Cable Length	3m
Environmental	Conformal Coated
Unit Weight (g)	55
Carton Qty	100 Pcs
Carton Dimensions(mm)	470x560x155
Carton Weight (kg)	TBC 5.5
Cartons per Pallet	52 (5200 per pallet)

Dimension drawing



PART NUMBERS:	DESCRIPTION:
92394B05	FDM4B-S 30MM BLUE 2 DIGIT DISPLAY
92394G05	FDM4G-S 30MM GREEN 2 DIGIT DISPLAY
92394R05	FDM4R-S 30MM RED 2 DIGIT DISPLAY
92394W05	FDM4W-S 30MM WHITE 2 DIGIT DISPLAY



SOLLATEK UK LTD.

Tel: +44 (1753) 214 500

sales@sollatek.com
www.sollatek.com

For more information on Sollatek's Refrigeration Control Range refer to the FreoRange Catalogue.
or visit www.sollatek.com

Sollatek (UK) Ltd.
Sollatek House, Waterside Drive, Langley, Slough SL3 6EZ UK

ISO9001: 2008 accredited company

All weights and dimensions are approximate. Specifications are subject to change without prior notice. ©Sollatek (UK) Limited 2012. All Rights Reserved. SOLLATEK and the SOLLATEK device are the trade marks of the Sollatek group of companies.

FDM4x

LED display for all coolers and fridges/ freezers

FDM4x

The temperature display features 2 x 7 segment digits that are 30mm high.

The FDM4x is a plug-in display unit that connects to Sollatek FCA & FTB Electronic Temperature Controllers.

The FDM4x has saved settings that can be adjusted through 1x switch located at the back of the unit.

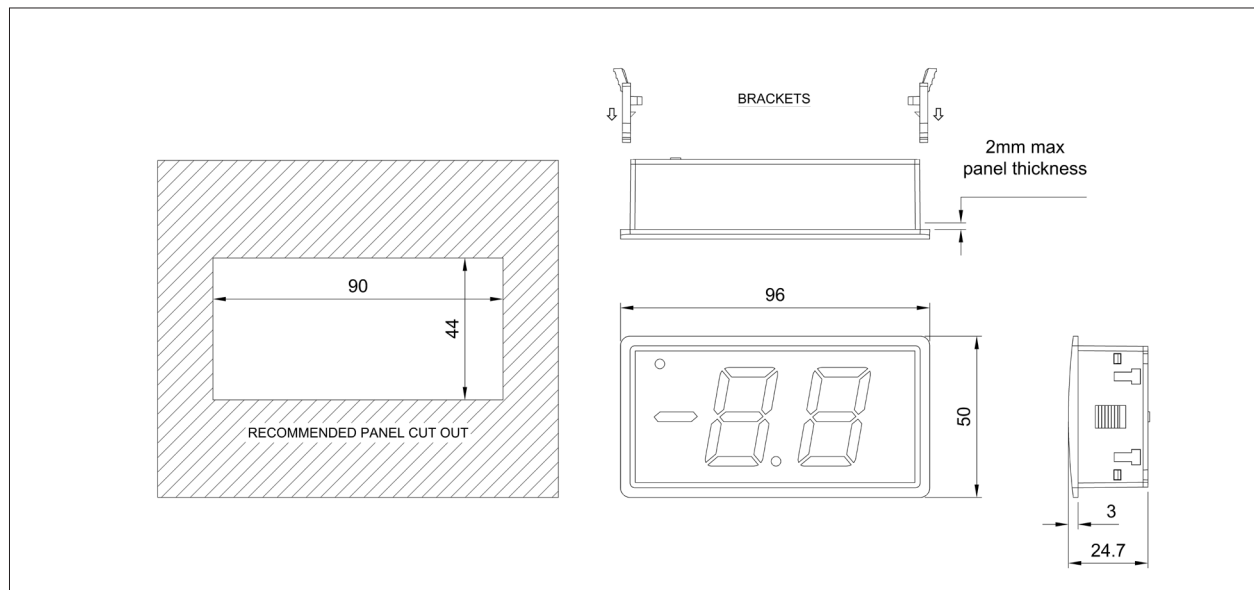
Two further annunciators are provided in the minus sign and a single flashing LED indicating run mode of the display.



Technical Specifications - FDM4x

Number of Digits	2
Type of Digit	7 Segment Red/Blue/Green LED (Each made from 14 SM LEDs)
Decimal Point	1
Digit Height	30mm (1.2")
Additional LEDs	1 x '-' sign + 1 x 3mm LED indicating Run Mode
Construction	Plastic enclosure, Panel Mount, Front Diffuser (Red/Blue/Green)
Adjustment	1 x Switch to rear to modify basic display settings
Lens Colour	Clear Black
IP Rating - Front	IP65 (Washable)
IP Rating - Rear	IP20
Display Cable Length	3m
Environmental	Conformal Coated
Unit Weight (g)	55
Carton Qty	100 Pcs
Carton Dimensions(mm)	470x560x155
Carton Weight (kg)	TBC 5.5
Cartons per Pallet	52 (5200 per pallet)

Dimension drawing



PART NUMBERS:	DESCRIPTION:
92394B00	FDM4B 30MM BLUE 2 DIGIT DISPLAY
92394G00	FDM4G 30MM GREEN 2 DIGIT DISPLAY
92394R00	FDM4R 30MM RED 2 DIGIT DISPLAY



SOLLATEK UK LTD.

Tel: +44 (1753) 214 500

sales@sollatek.com
www.sollatek.com

For more information on
Sollatek's Refrigeration Control
Range refer to the FreoRange
Catalogue.
or visit www.sollatek.com

Sollatek (UK) Ltd.
Sollatek House, Waterside Drive, Langley, Slough SL3 6EZ UK

ISO9001: 2008 accredited company

All weights and dimensions are approximate. Specifications are subject to change without prior notice. ©Sollatek (UK) Limited 2012. All Rights Reserved. SOLLATEK and the SOLLATEK device are the trade marks of the Sollatek group of companies.

