

GMC4x RANGE

ADVANCED PLUG-IN CONNECTIVITY,
MONITOR AND TRACKING DEVICES FOR
REFRIGERATION CONTROLLERS OR
AS STANDALONE DEVICE

DESCRIPTION

The GMC4x stands out as a compact and user-friendly connectivity and tracking device. It can be employed either as a standalone device or seamlessly plugged into Sollatek temperature controllers (JEA, JEAc and FCx3). This integration offers continuous monitoring, configuration, and location capabilities to enhance the efficiency of refrigeration systems.

It efficiently provides full system management and fleet optimisation, with monitoring of not only the connected sensors but also the status of the connected equipment (compressor, fans, lights or heaters), the controller status and mode, as well as the cooler location.

Monitoring operational and health data allows early detection and proactive measures to prevent issues, boosting uptime, reducing maintenance costs, and ensuring optimal system operation. Analysing this data reveals customer behavior and trends, aiding data-driven sales and marketing strategies. It enhances customer satisfaction through product quality assurance and personalised customer engagement.

The GMC4x enables remote parameter configuration and firmware updates, enhancing device functionality with new features, bug fixes, and site-specific settings without requiring site visits.

FEATURES

- Available as Standalone Device (GMC43, GMC45 only)
- Real-Time Data Monitoring and Historical Data Tracking
- GSM Connectivity
- Bluetooth Connectivity (GMC41, GMC42, GMC43 only)
- Remote Configuration and Firmware Over The Air Update
- Online Portal and Application for Remote Monitoring from a Computer, Tablet or Smartphone
- User-Friendly Interfaces with Clear Data Visualisations
- Wi-Fi Location Tracking and Positioning Using Access Points
- Backup Battery for Uninterrupted Location Transmission during Power Outages (GMC41, GMC42, GMC43 only)
- Customer Engagement through BLE Beacons - iBeacon and Eddystone (GMC41, GMC42, GMC43 only)
- Small Compact Design for Discreet Mounting
- IP53 Sealed Enclosure
- Simple Installation and Set-up (Plug and Play)
- Powered from the Host Device (GMC41, GMC42) and LED PSU (GMC43 only) and Primary Battery (GMC45 only)
- Integrated Accelerometer to Detect Door Openings and Closings When Mounted on the Door (GMC45 only)



FEATURES



Product image and feature icons shown above apply to GMC41, GMC42 GMC43 models. GMC45 may slightly differ.

TECHNICAL SPECIFICATION

		GMC41	GMC42	GMC43	GMC45
CELLULAR CONNECTIVITY					
Target Region		Global			
Antenna		Internal			
2G	Category	EDGE, GSM, GPRS			
	Frequency Band	850 / 900 / 1800 / 1900			
4G	Category	Cat-M1, Cat-NB2			
	Frequency Band	B1, B2, B3, B4, B5, B8, B12, B13, B18, B19, B20, B25, B28, B66, B71, B85			
BLUETOOTH CONNECTIVITY					
Type/Version		BLE 4.1			No Bluetooth Connectivity
RF Power Output		-20 dBm to +4 dBm			
Frequency		2.4 GHz ISM			
Connectivity		Eddystone, iBeacon & connection to the Sollatek Smart Device Application			
Bluetooth Standard		IEEE 802.15.1			
Memory Size		32 Mbit for data/event storing between transmission			
WI-FI LOCATION					
Frequency Range		2.4 GHz			
Protocol		802.11 b/g/n			
MOVEMENT					
Measurement Direction		3-axis			
Measurement Scale		High Sensitivity ±2g			
BACKUP BATTERY					
Battery Type		Rechargeable (Lithium Polymer)		Non Rechargeable (Lithium Thionyl Chloride)	
Nominal Voltage		3.7 V		3.6 V	
Capacity		750 mAh		3500 mAh	
Typical Run Time (Depends on set transmission freq.)		Approx. 5 Months*		Approx. 5 Years*	
GENERAL					
Power		via Host Device		via LED PSU	
Power Requirement		60 ¹ -140 ² mA 12 V 30 ¹ -70 ² mA 24 V ¹ when battery is full ² when battery is empty		-	
LEDs		1 x Green Power, 1 x Green Battery, 2 x (Green & Red) GSM		1 x Green Power, 2 x (Green & Red) GSM	
Connector		USBc		USBc and Power Connector	
Input Type		Data provided by Controller		Temperature Sensor & Door Switch	
Temperature Probe Type		-		100 KΩ NTC (25/50: 3990 k)	
ENVIRONMENTAL					
IP Rating		IP55 sealed enclosure			
Operating Temperature		-20°C to +60°C (-4°F to +140°F)		0°C to +60°C (+32°F to +140°F)	
Operating Humidity		<90% RH non-condensing			

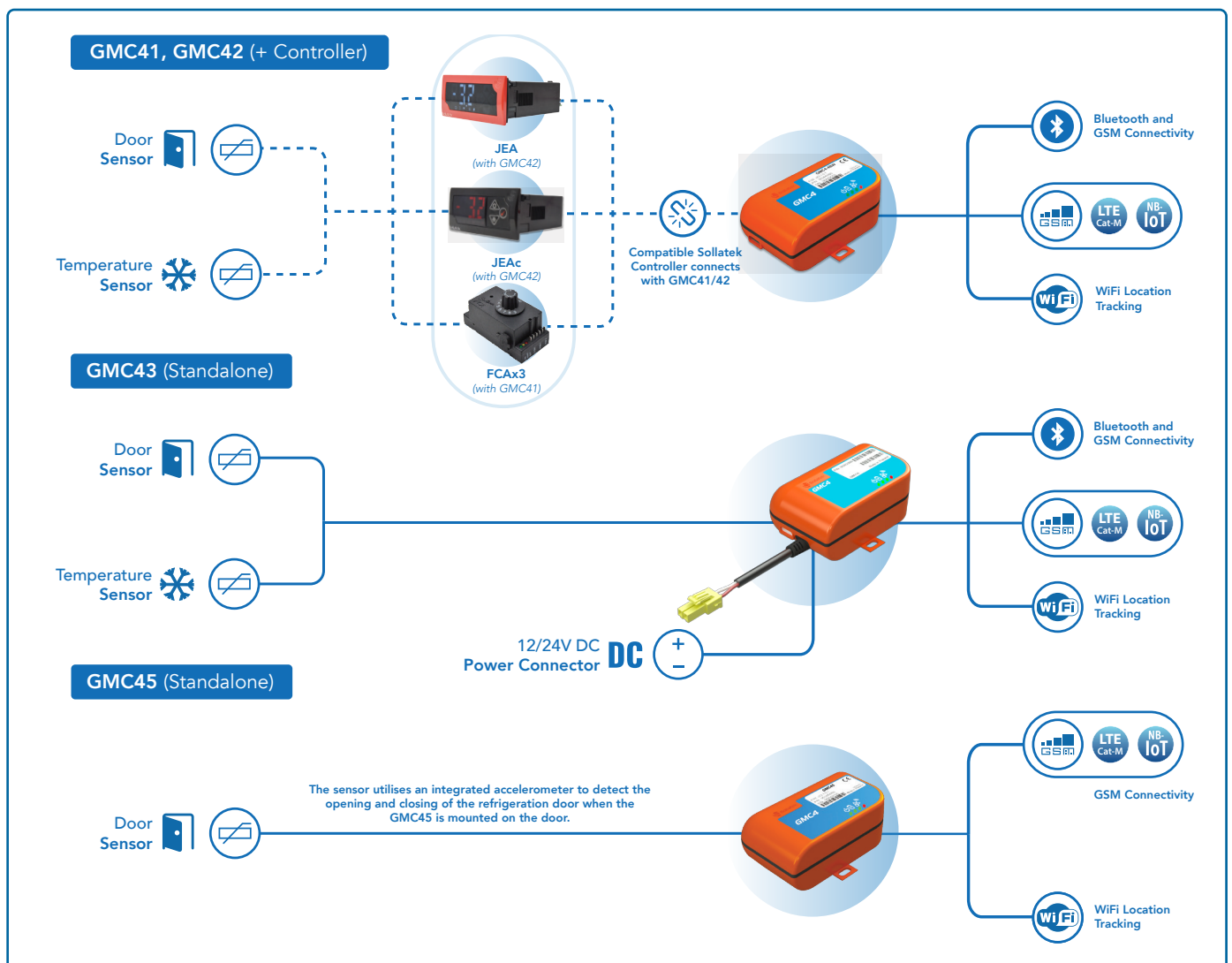
i *Under optimal signal conditions, battery life may vary depending on signal quality.



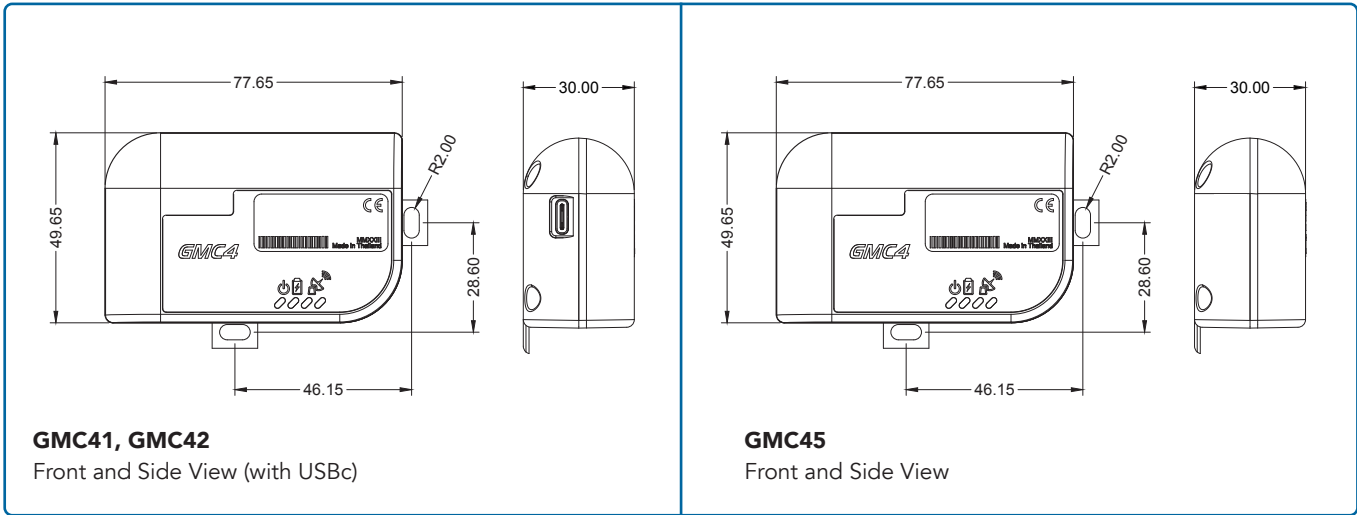
TECHNICAL SPECIFICATION (CONT.)

	GMC41	GMC42	GMC43	GMC45
CERTIFICATION / STANDARDS				
Product Certification			CE	
Flammability		UL94 V-0 @ 1.5 mm, GWFI: 960 °C, GWIT: 850 °C		
Pollution Degree		2		
MECHANICAL				
Mounting		Double sided adhesive pad or Pull out screw tabs: 2 x No.4 13mm Torx-Pin Pan Self-drill screws		
Unit Dimensions (L x W x H)		77.65 x 49.65 x 30.0 mm		
Unit Weight		Approx. 60 g		
PACKING & SHIPPING				
Carton Quantity		200 units		
Carton Dimensions (L x W x H)		580 x 485 x 327 mm		
Carton Gross Weight		Approx. 17.5 kg		
Pallet Quantity		24 cartons (4800 units)		
Pallet Dimensions (L x W x H)		1200 x 1000 x 2112 mm		
Pallet Weight		440 kg		

SYSTEM PRINCIPLE

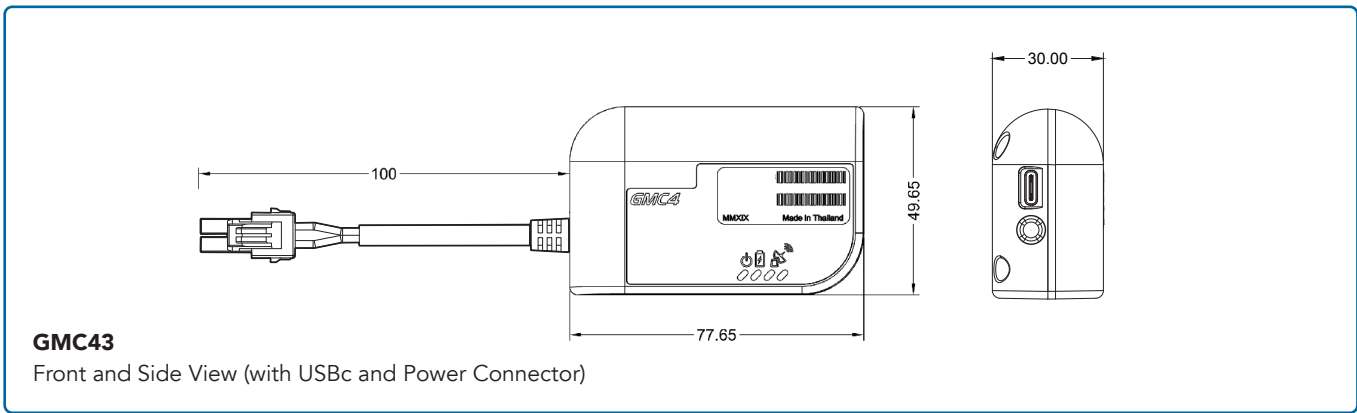


DIMENSIONAL DRAWING



GMC41, GMC42
Front and Side View (with USBc)

GMC45
Front and Side View



GMC43
Front and Side View (with USBc and Power Connector)

Product Code	GMC4x Description	Host/Sensor Connection	Power I/P	Host
95342WB1	GMC41-2BW 2G	USBc – Host	Host via USBc Cable	FCAX3
95344WB1	GMC41-4BW 4G	USBc – Host	Host via USBc Cable	FCAX3
95342WB2	GMC42-2BW 2G	USBc – Host	Host via USBc Cable	JEA
95344WB2	GMC42-4BW 4G	USBc – Host	Host via USBc Cable	JEA
95344WB3	GMC43-4BW 4G	USBc – Temp and Door Sensor	Cable Connector to LED PSU	Standalone
95342WB5	GMC45-2W 2G	Integrated – Door Sensor	N/A	Standalone
95344WB3	GMC45-4W 4G	Integrated – Door Sensor	N/A	Standalone

SOLLATEK (UK) LIMITED
 Sollatek House, Waterside Drive, Langley, Slough SL3 6EZ, United Kingdom
 Tel: +44 (1753) 214 500
 Email: sales@sollatek.com
 Web: www.sollatek.com

ISO9001: 2015 accredited company
 All weights and dimensions are approximate. Specifications are subject to change without prior notice. ©Sollatek (UK) Limited 2024. All Rights Reserved. SOLLATEK and the SOLLATEK device are the trade marks of the Sollatek group of companies.

