



SOLLATEK DATA SHEET NO:

10910487

# SOLLATEK GWR

 WI-FI NETWORK SNIFFER MODULE  
 FOR GEOACTION ASSET TRACKING

## Description

GWR is a Wi-Fi network sniffer module which when connected to a Sollatek host device such as FFA and GMC provides remote asset tracking.

The GWR collects network information from nearby Wi-Fi networks and sends to the host device. Via the GSM module in the host device, the Wi-Fi information is transmitted to an online portal which calculates the location of the GWR and therefore, customer's asset.

The GWR can be easily retrofitted to a Sollatek host device via a connection cable. The GWR is powered from the host device.

The GWR has a status LED to indicate the operation mode of the device.

## Features

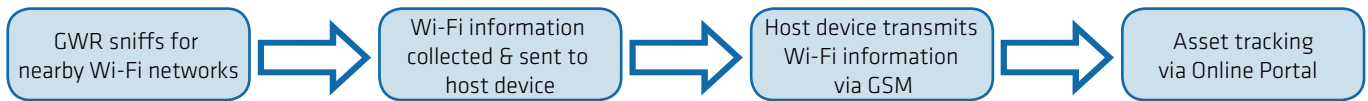
- Wi-Fi Sniffer Module - does not connect to Wi-Fi network
- Precise Asset Tracking via the online portal
- Online portal provides details of location, device information and power status, as well as other performance data recorded from the host
- Connects to Sollatek FFA (EMD) and GMC0 (GSM Modem)
- Powered from Host Device
- Easily retrofitted to a Sollatek Host Device via a connecting cable
- A secondary device such as a display can be connected to expand user interactions with the controller via the second micro USB port
- Ultra low power consumption - Sleep mode to minimise battery usage
- LED status indicator

## Technical Specification

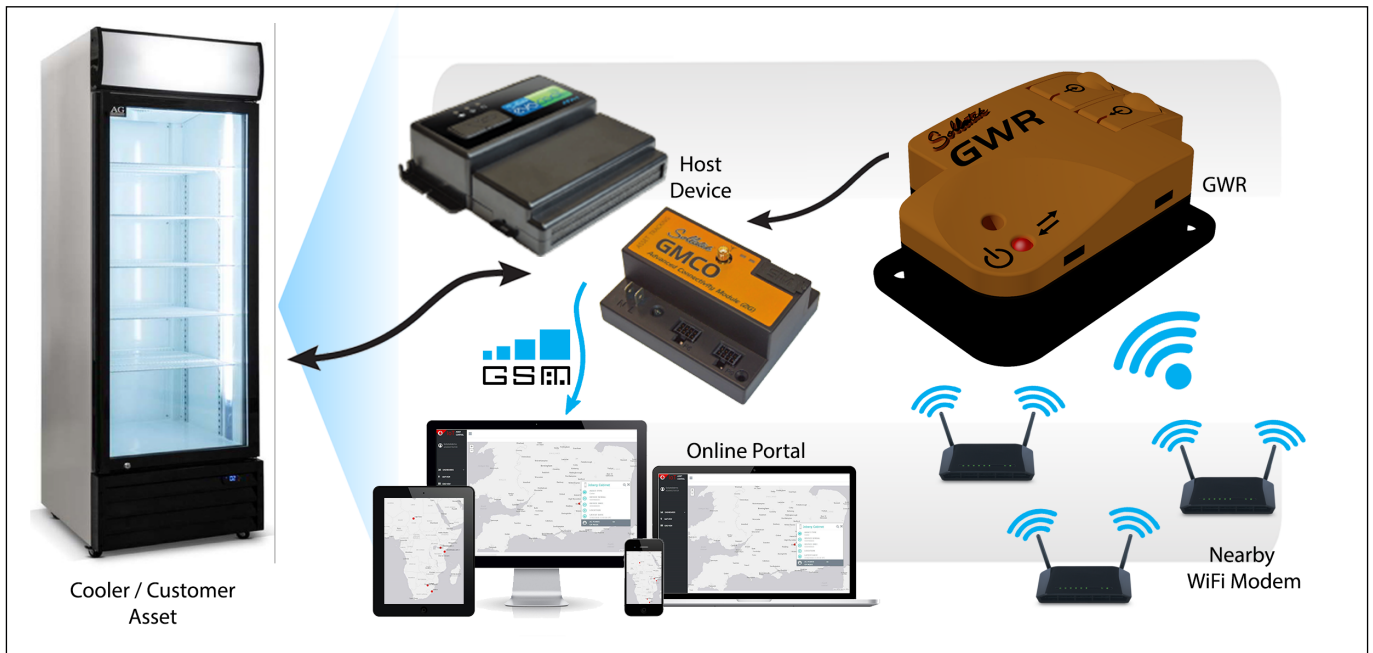
<b>Wi-Fi</b>	2.4 GHz 802.11 b/g/n/e/i Support Wi-Fi Direct (P2P) Support
<b>Connectors</b>	GWR to host device using serial data via Micro USB connector GWR to Secondary device using serial data via second Micro USB connector
<b>Power</b>	Power from Host device Ultra-low power design
<b>Mechanical</b>	Mounting: 2x screws or double-sided adhesive pad (provided) Size: 52.0 x 34.0 x 22.3 mm Weight: 18 g Operating temperature: -40°C to 65°C IP rating: IP52*

\* Not tested, subject to mounting orientation

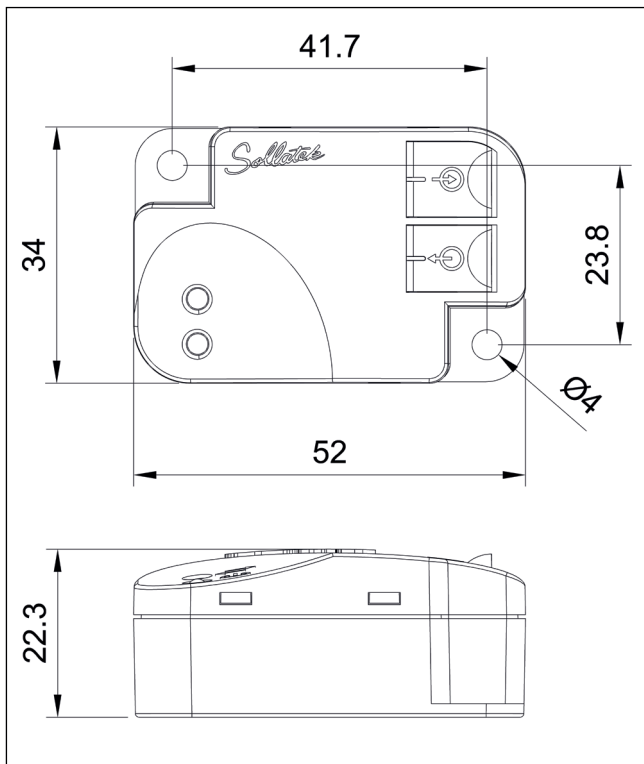
## Typical application



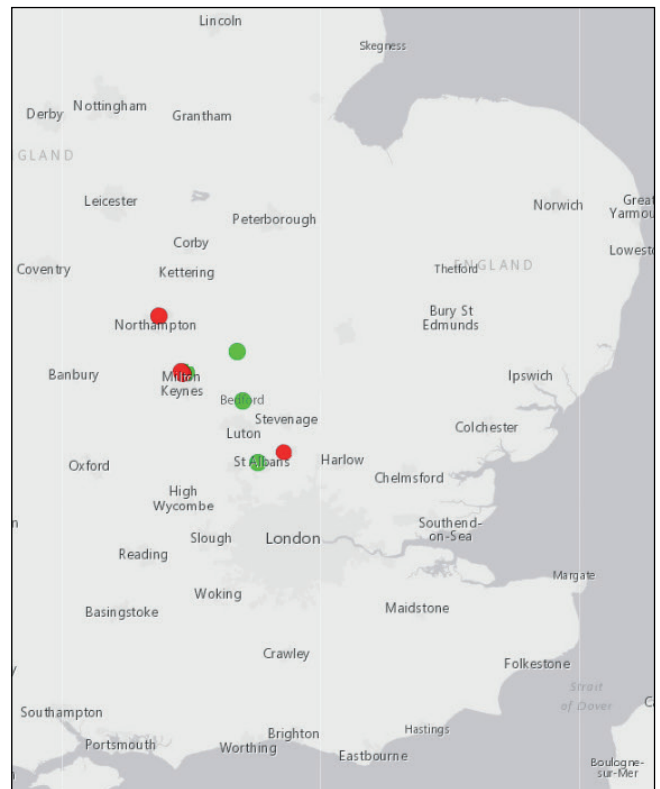
## Application Diagram



## Dimensions



## Online Portal - Asset Location and Identification



Stock No	Description
9530WR10	GWR WiFi Sniffer Module
8M293477	Cable 2x4 Way to uUSB 2M (GWR to GMCO)
8M291018	Cable 2x4 Way FFA to uUSB 0.5m (GWR to FFA)
8M291019	Cable 2x4 Way FFA to uUSB 2m (GWR to FFA)

For more information on the Sollatek product range visit [www.sollatek.com](http://www.sollatek.com)

